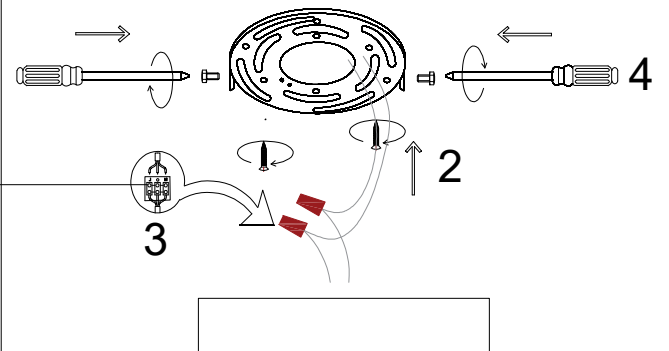
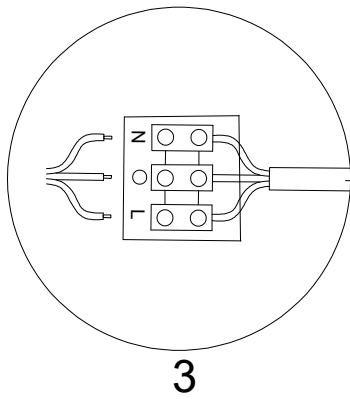


1:Assembly of lamp body

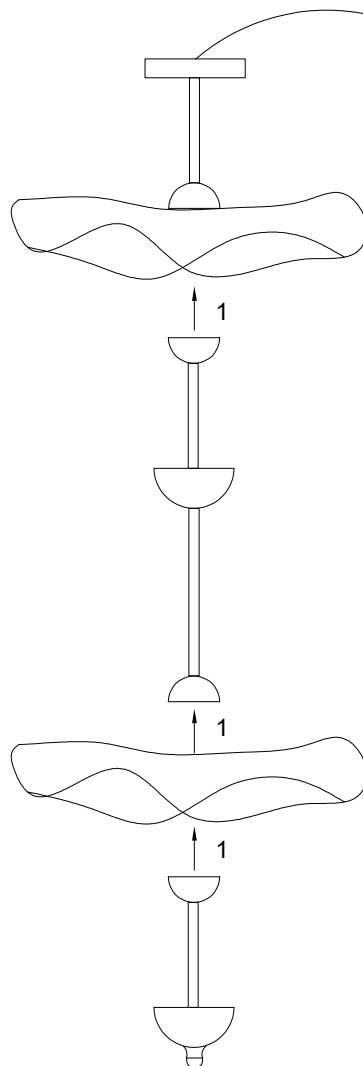
2:Fix the hanging board to the ceiling

3:Connect the lamp wires to the reserved wires

4:Fix the ceiling tray and hanging board from the side



Enlarged Detail



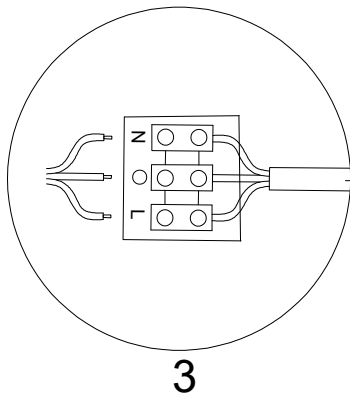
# Envolee Double Biscuit Pendant Light

1: Assembly of lamp body

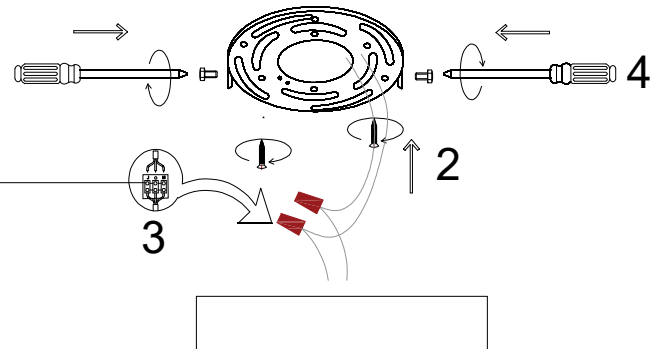
2: Fix the hanging board to the ceiling

3: Connect the lamp wires to the reserved wires

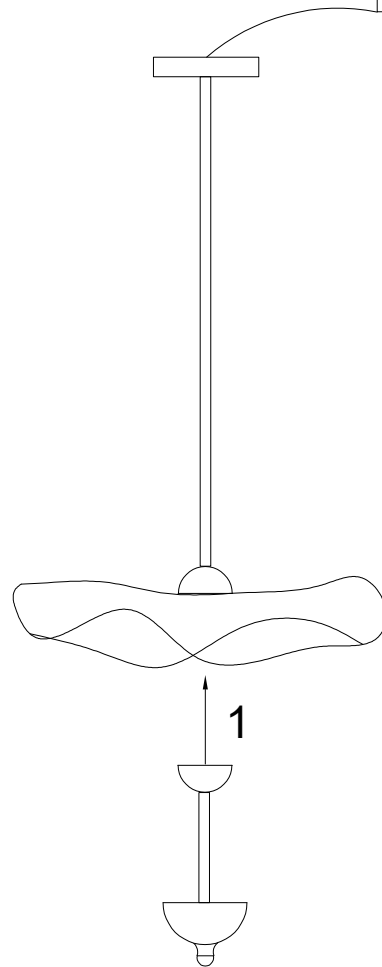
4: Fix the ceiling tray and hanging board from the side



3



Enlarged Detail



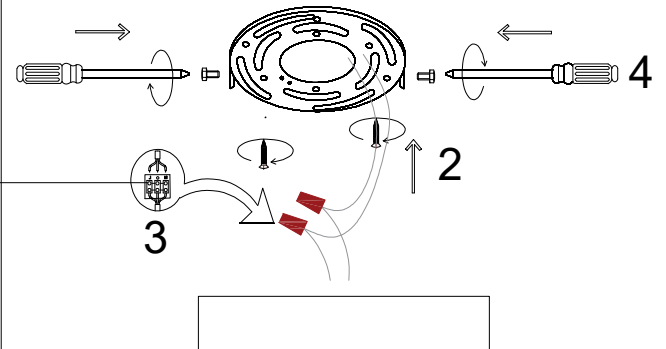
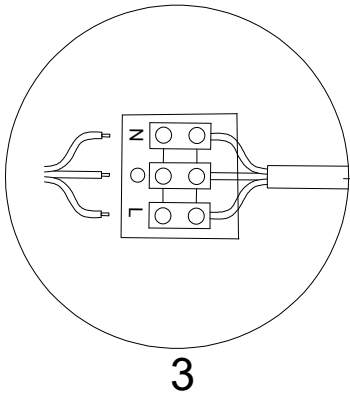
# Envolee Double Biscuit Pendant Light

1: Assembly of lamp body

2: Fix the hanging board to the ceiling

3: Connect the lamp wires to the reserved wires

4: Fix the ceiling tray and hanging board from the side



Enlarged Detail

