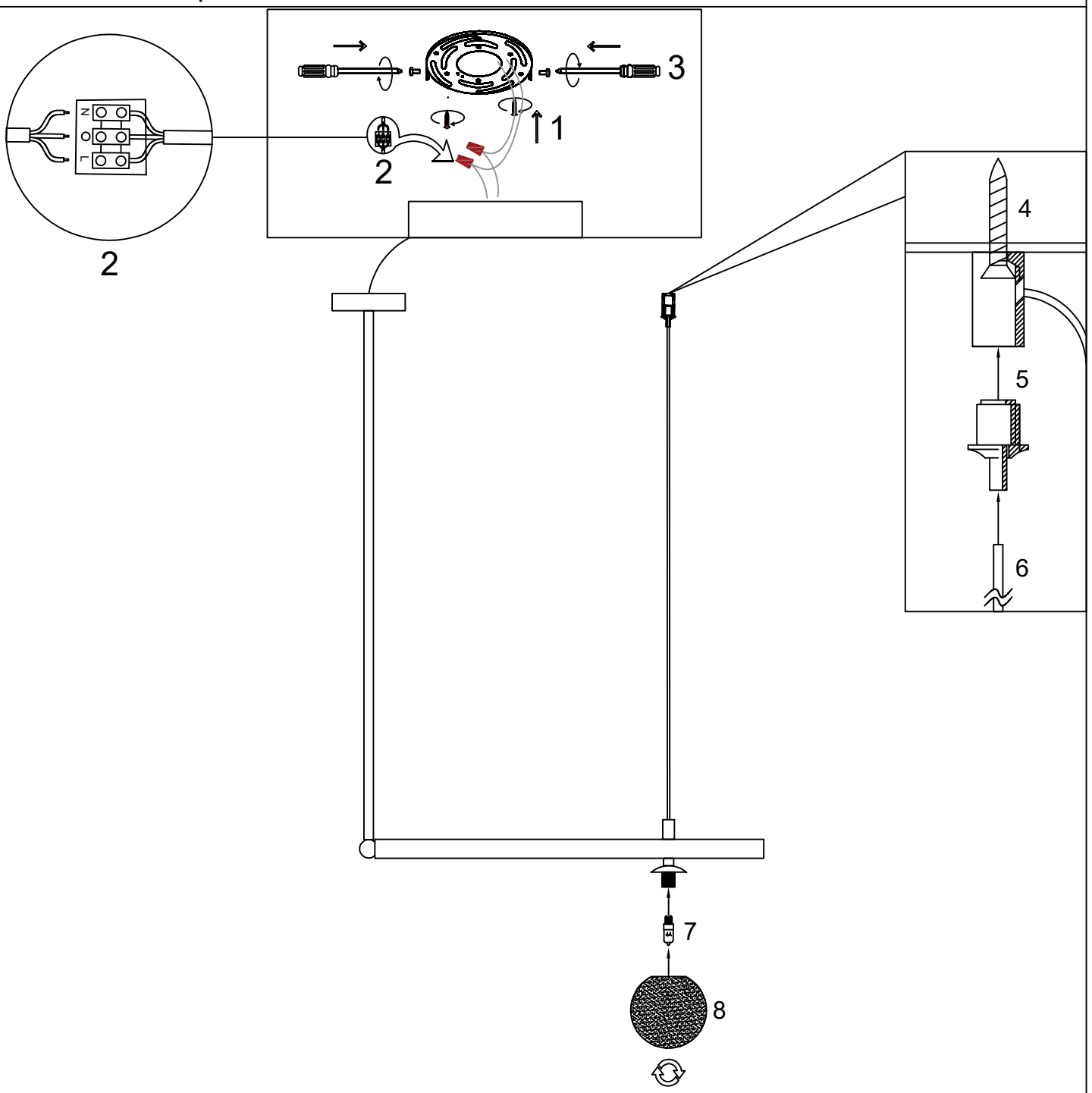


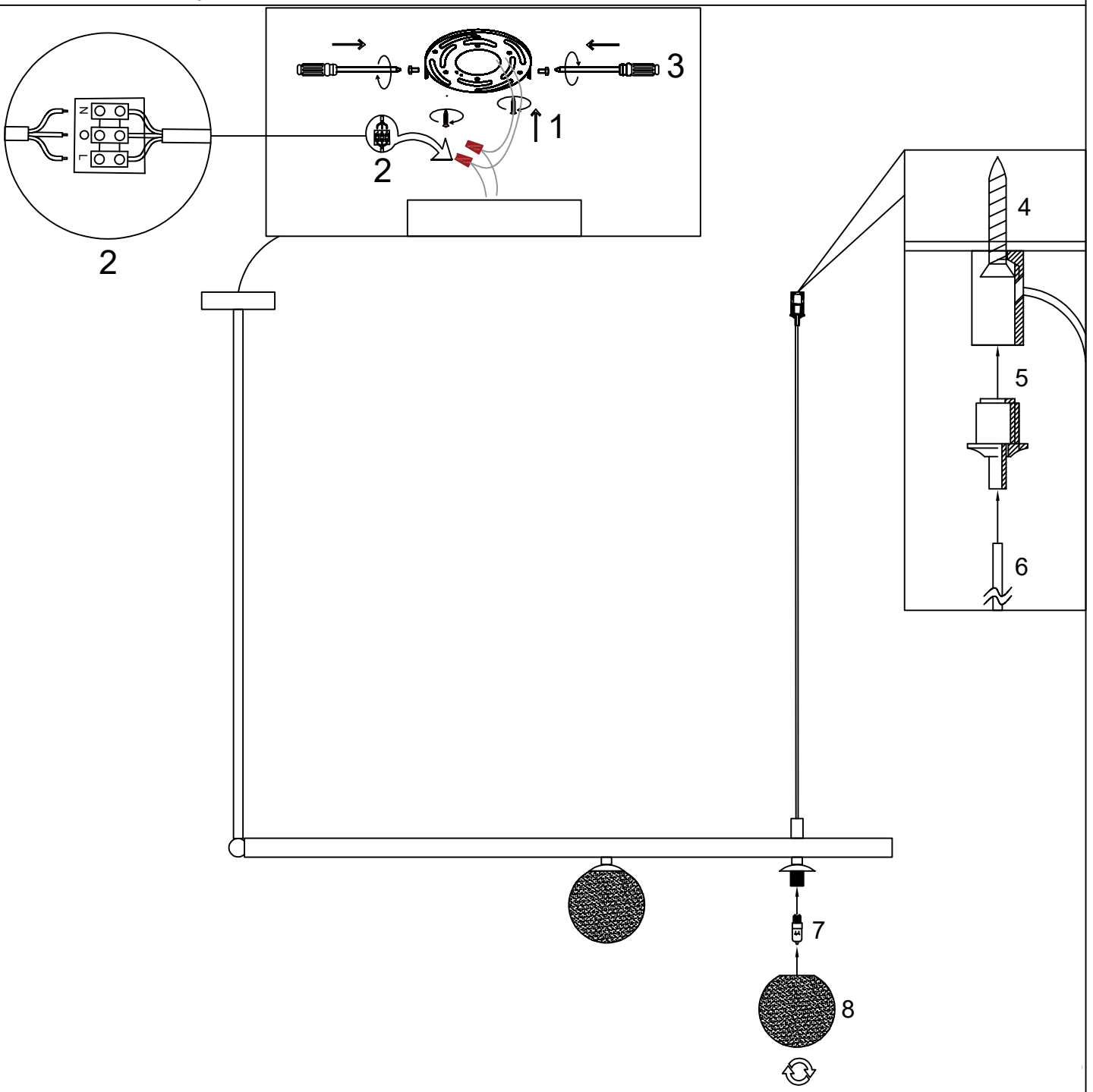
Satellite Ceiling Pendant Light-1 Head

- 1: Fix the hanging board to the ceiling
- 2: Connect the lamp wires to the reserved wires
- 3: Fix the ceiling tray and hanging board from the side
- 4: Fix the hardware on the ceiling
- 5: Tightening steel wire fasteners
- 6: Passing through steel wire
- 7: Installing bulb
- 8: Install the lampshade



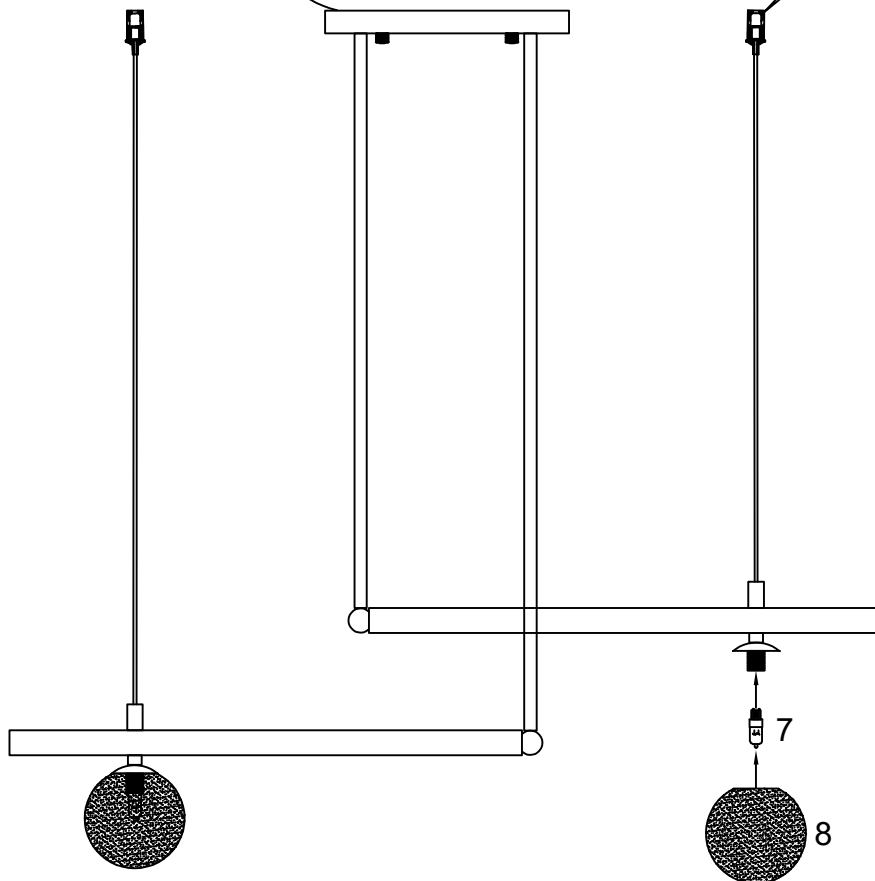
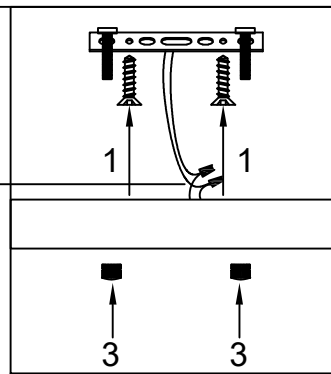
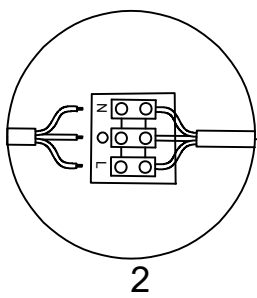
Satellite Ceiling Pendant Light-2 Heads A

- 1: Fix the hanging board to the ceiling
- 2: Connect the lamp wires to the reserved wires
- 3: Fix the ceiling tray and hanging board from the side
- 4: Fix the hardware on the ceiling
- 5: Tightening steel wire fasteners
- 6: Passing through steel wire
- 7: Installing bulb
- 8: Install the lampshade



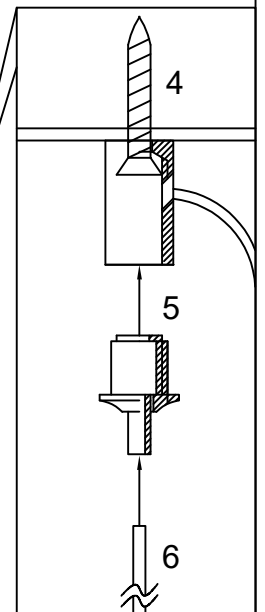
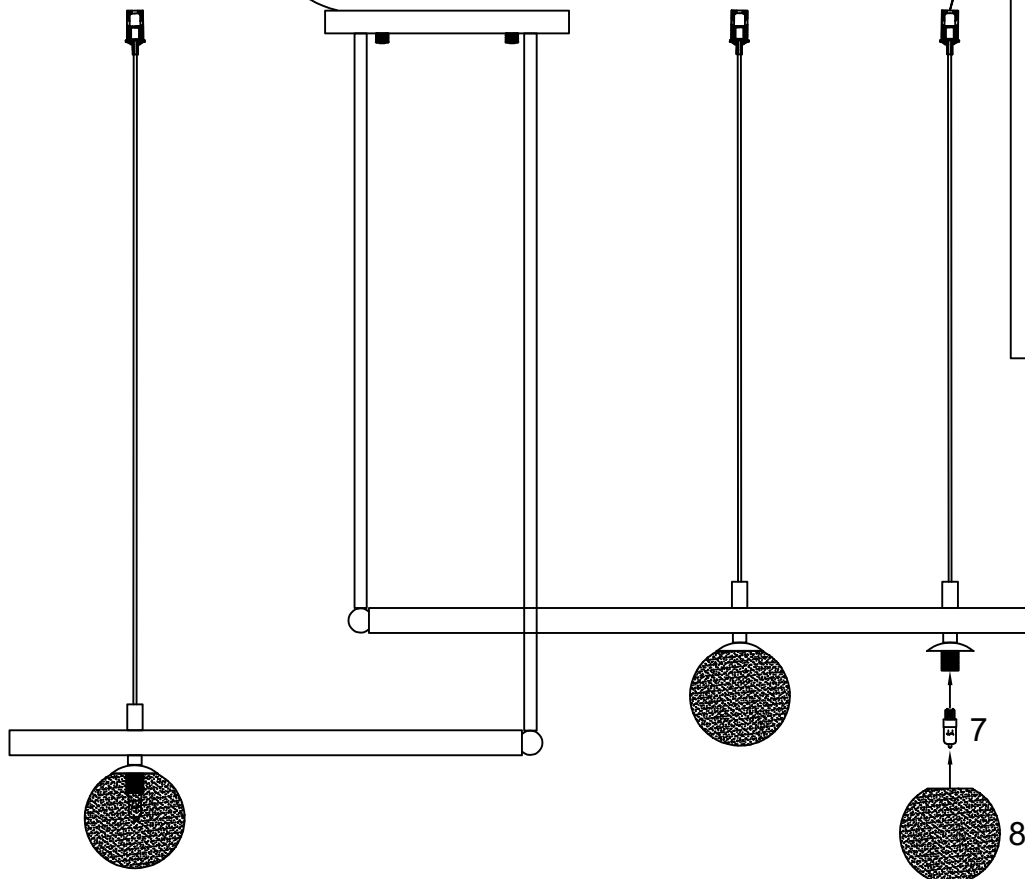
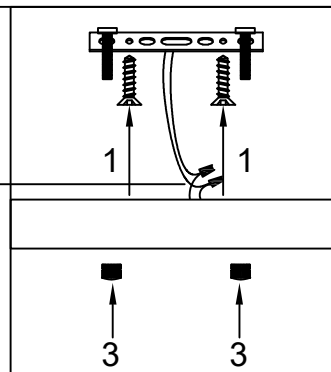
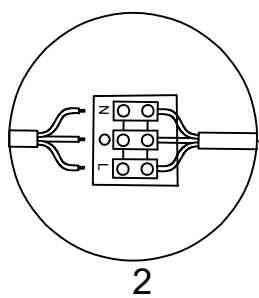
Satellite Ceiling Pendant Light-2 Heads B

- 1: Fix the hanging board to the ceiling
- 2: Connect the lamp wires to the reserved wires
- 3: Fix the ceiling tray and hanging board from the side
- 4: Fix the hardware on the ceiling
- 5: Tightening steel wire fasteners
- 6: Passing through steel wire
- 7: Installing bulb
- 8: Install the lampshade



Satellite Ceiling Pendant Light-3 Heads

- 1: Fix the hanging board to the ceiling
- 2: Connect the lamp wires to the reserved wires
- 3: Fix the ceiling tray and hanging board from the side
- 4: Fix the hardware on the ceiling
- 5: Tightening steel wire fasteners
- 6: Passing through steel wire
- 7: Installing bulb
- 8: Install the lampshade



Satellite Ceiling Pendant Light-4 Heads

- 1: Fix the hanging board to the ceiling
- 2: Connect the lamp wires to the reserved wires
- 3: Fix the ceiling tray and hanging board from the side
- 4: Fix the hardware on the ceiling
- 5: Tightening steel wire fasteners
- 6: Passing through steel wire
- 7: Installing bulb
- 8: Install the lampshade

