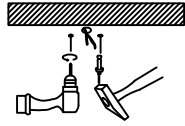
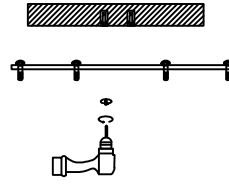


1

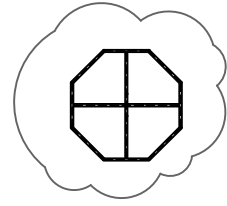


Drill holes in the cell and insert expansion screws

2



Install the hanging plate on the ceiling

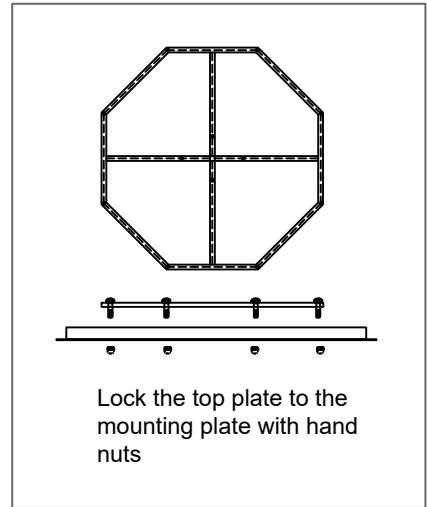
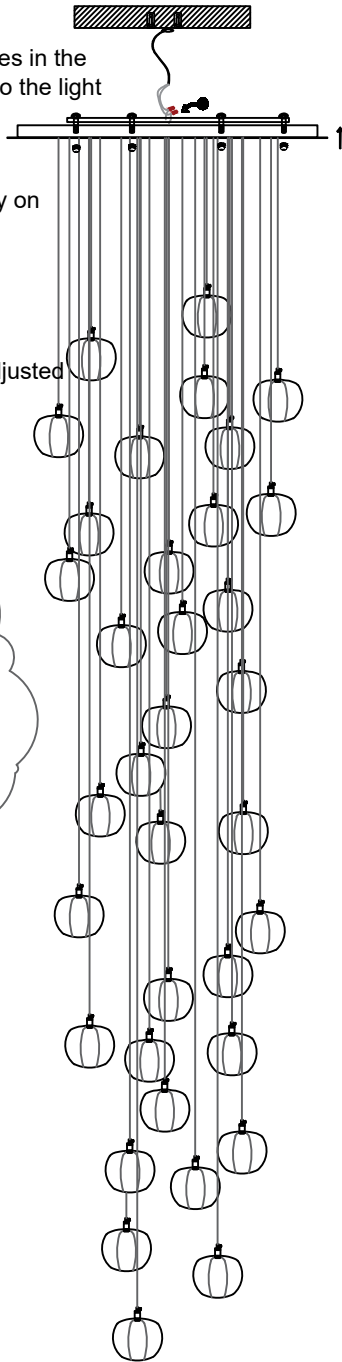


3

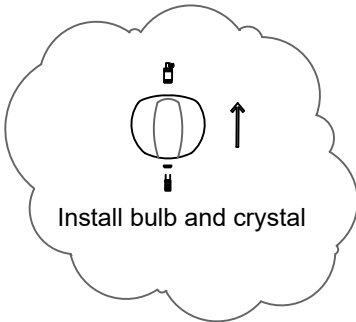
The electric wires in the home connect to the light fixtures

Install the lamp body on the hanging plate

Line length can be adjusted



Lock the top plate to the mounting plate with hand nuts



Install bulb and crystal