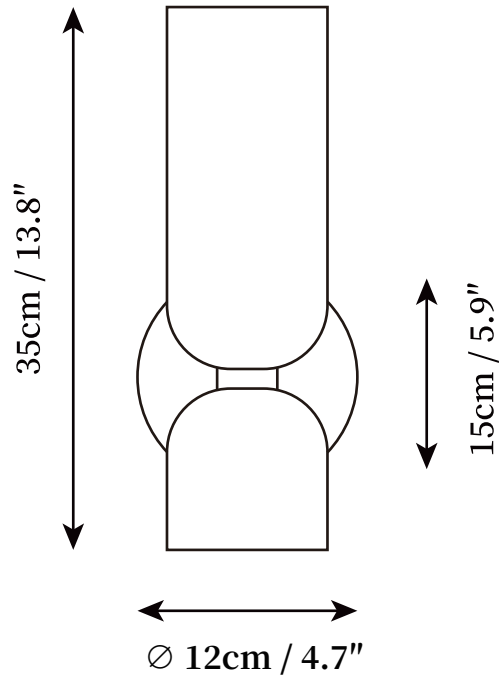


SPECIFICATION SHEET



SPECIFICATION DETAILS

*For custom options, consult factory for details

| | |
|---------------------------|---|
| Fixture Dimensions | D 4.7" x H 13.8" |
| Light source | E14 (bulb not included) |
| Wattage | MAX 15W incandescent bulb or LED equivalent. |
| Voltage | AC 110-240V |
| Mounting | Hardwired. |
| Dimming | Compatible with dimmable bulbs (bulb not included) |
| Control method | Compatible with common wall switches (not included) |
| Finishes | Satin brass, Matt black. |
| Shade Details | Opal, Smoked gray, Blue. |
| Material | Brass, Glass. |