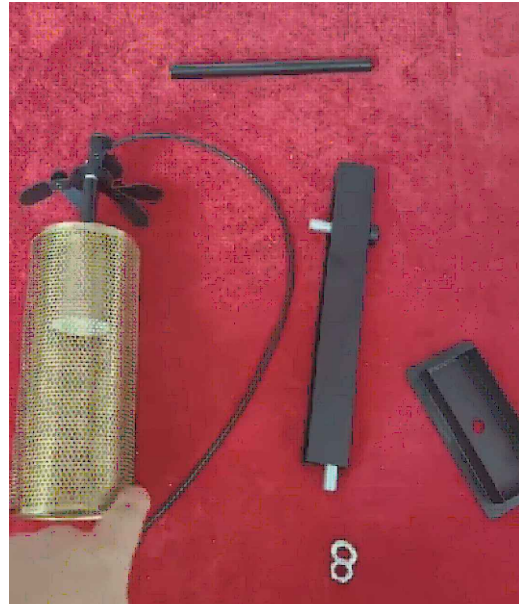
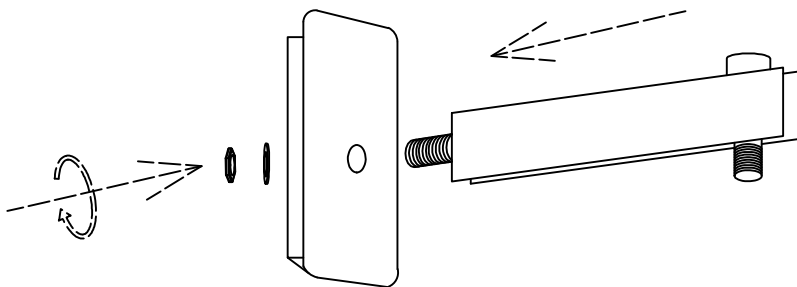


1

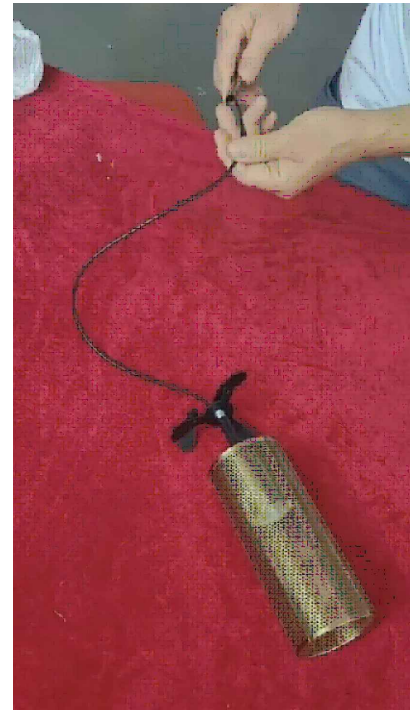
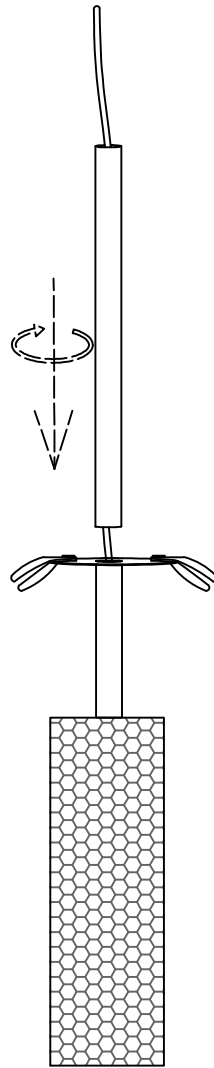


Take out the accessories and set them up



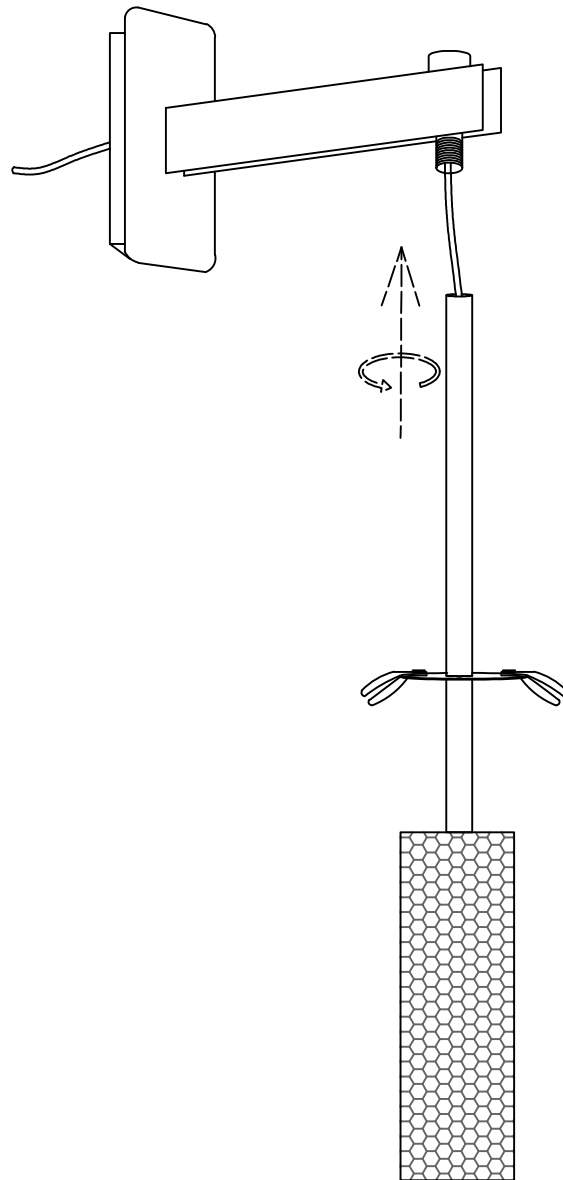
Lock the lamp arm on the ceiling disc with a nut

2



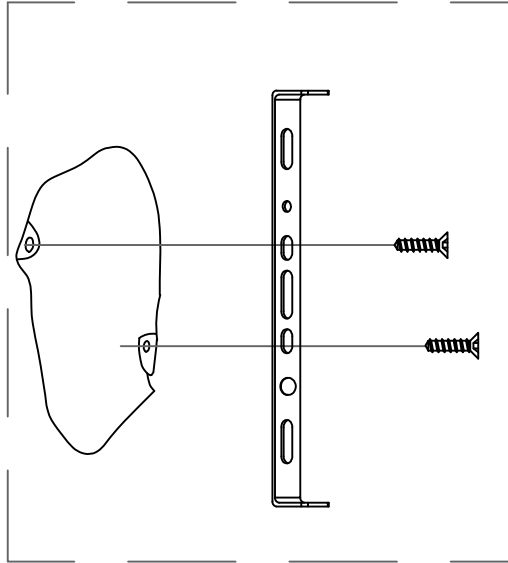
Straight pipe insertion and then tightening

3

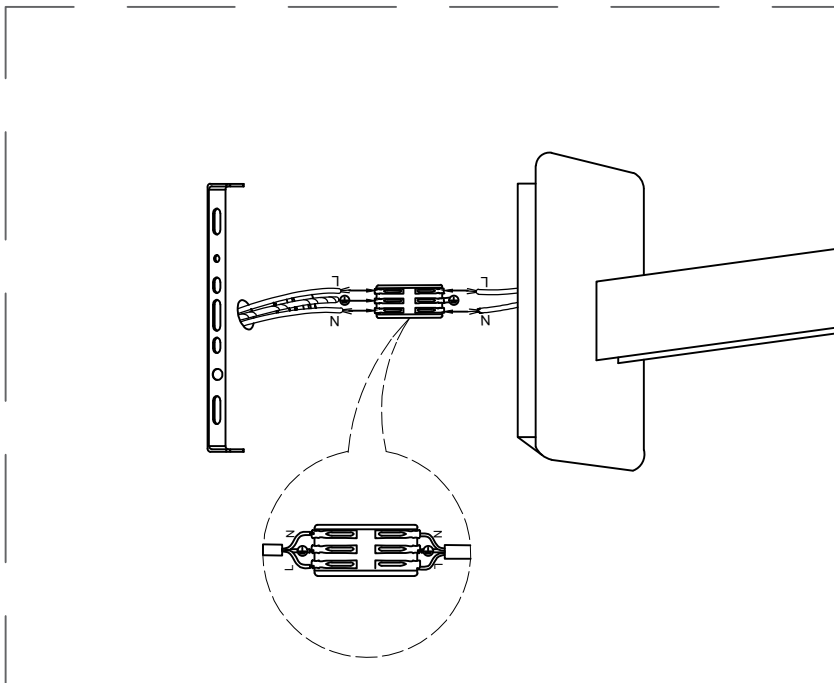
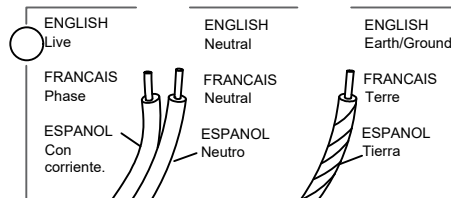


The wire is threaded out of the ceiling plate, and then the lamp body and lamp arm are tightened

4

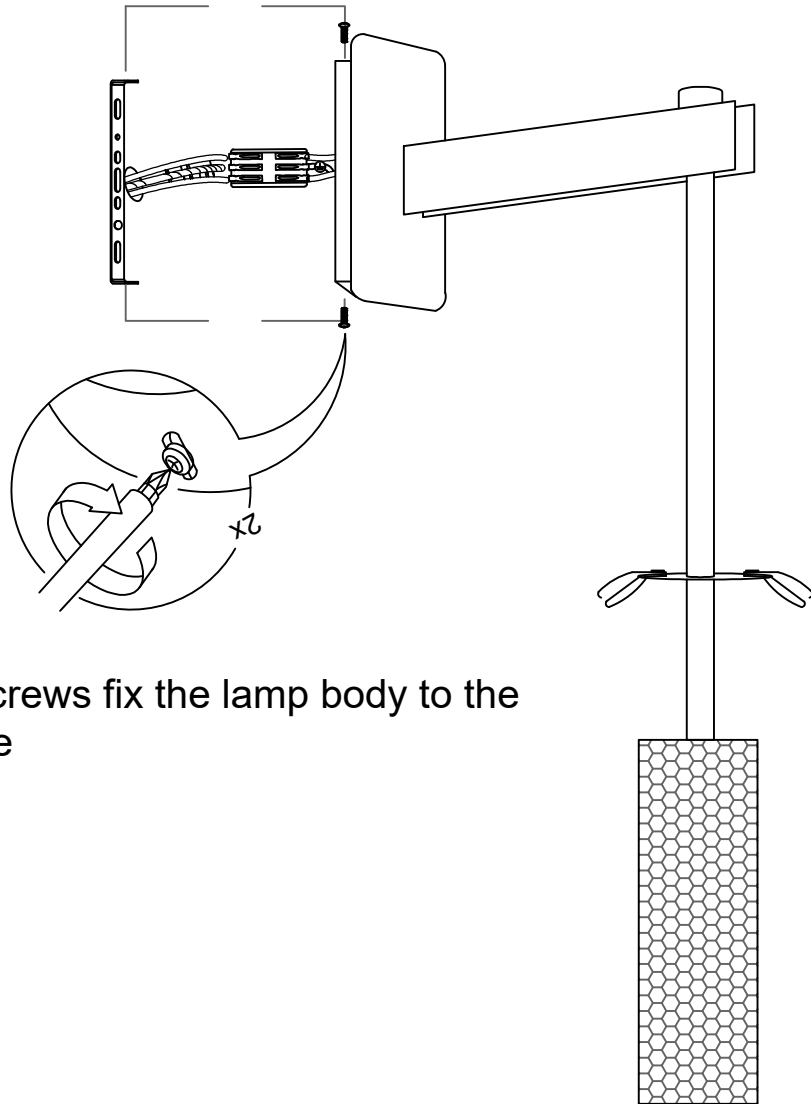


Fix the hanging plate to the wall with screws



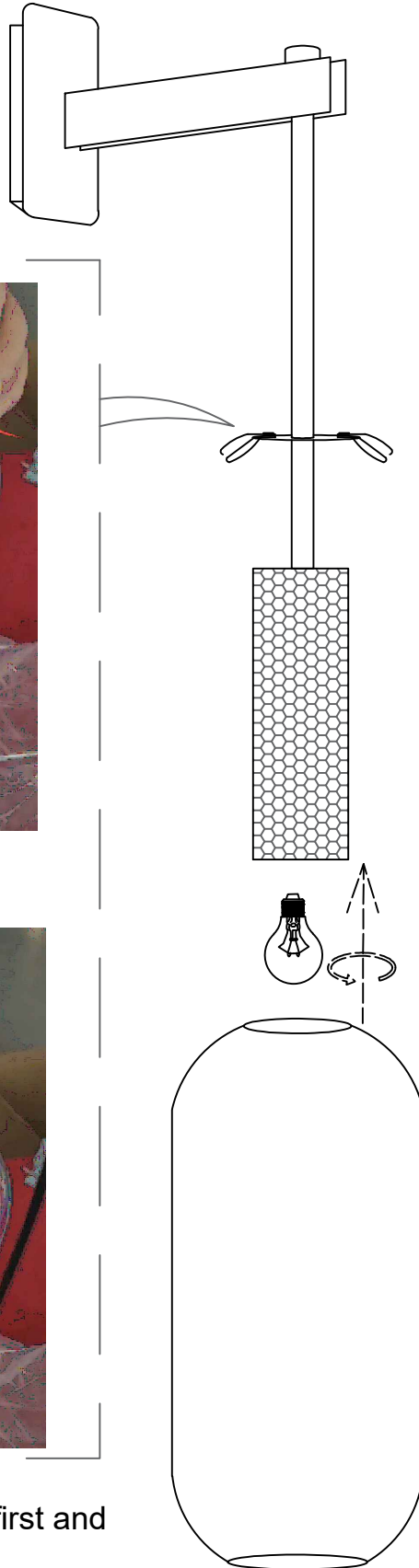
The wires in the home are connected to the wires in the lamps through the wire terminals

5



The side screws fix the lamp body to the ceiling plate

6



The glass lampshade is snapped in first and then screwed in