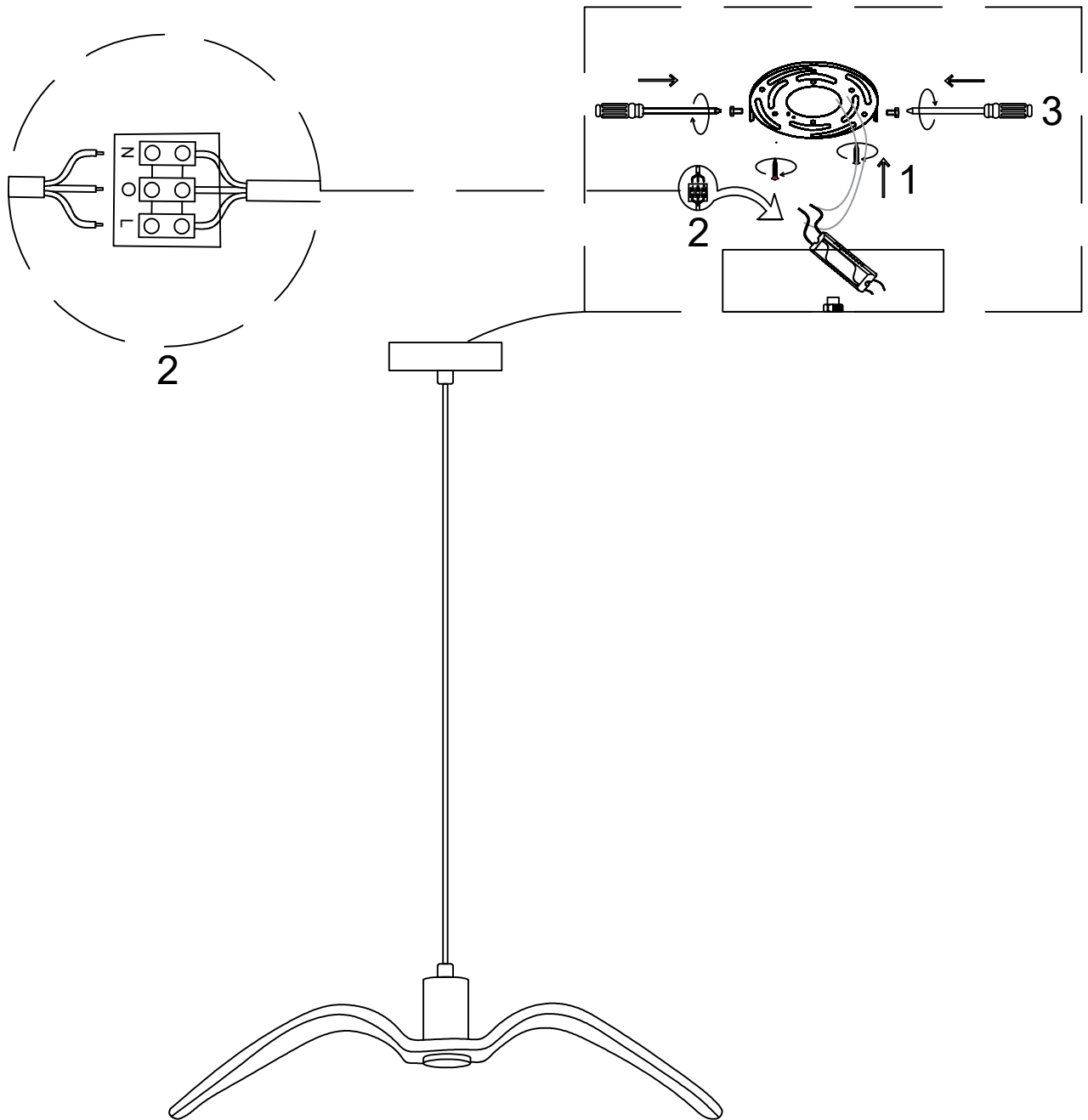


1: Fix the hanging board to the ceiling

2: Connect the lamp wires to the reserved wires

3: Fix the ceiling tray and hanging board from the side

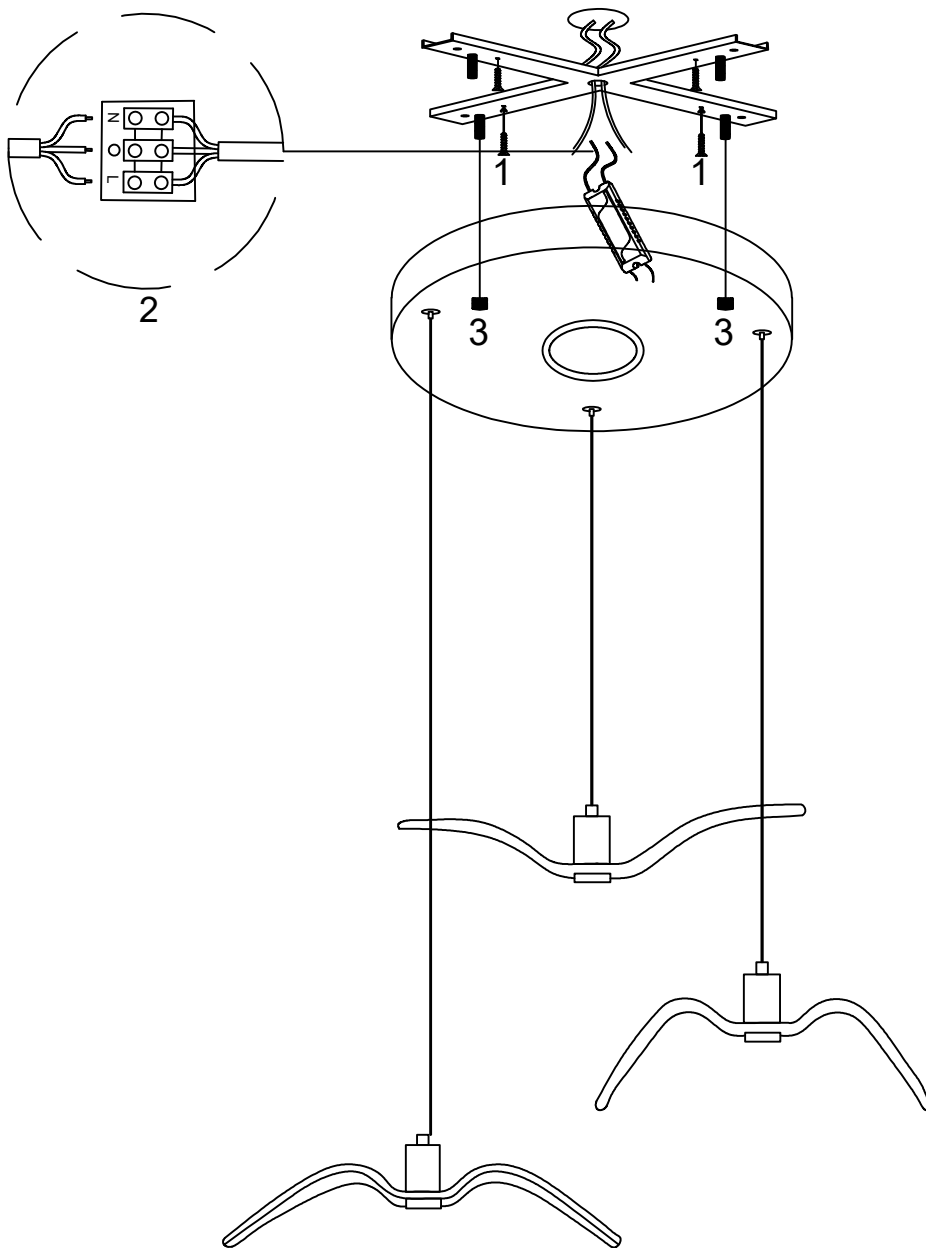


Seagull Resin Pendant Light-3heads

1: Fix the hanging board to the ceiling

2: Connect the lamp wires to the reserved wires

3: Tighten the nut to secure the lamp body

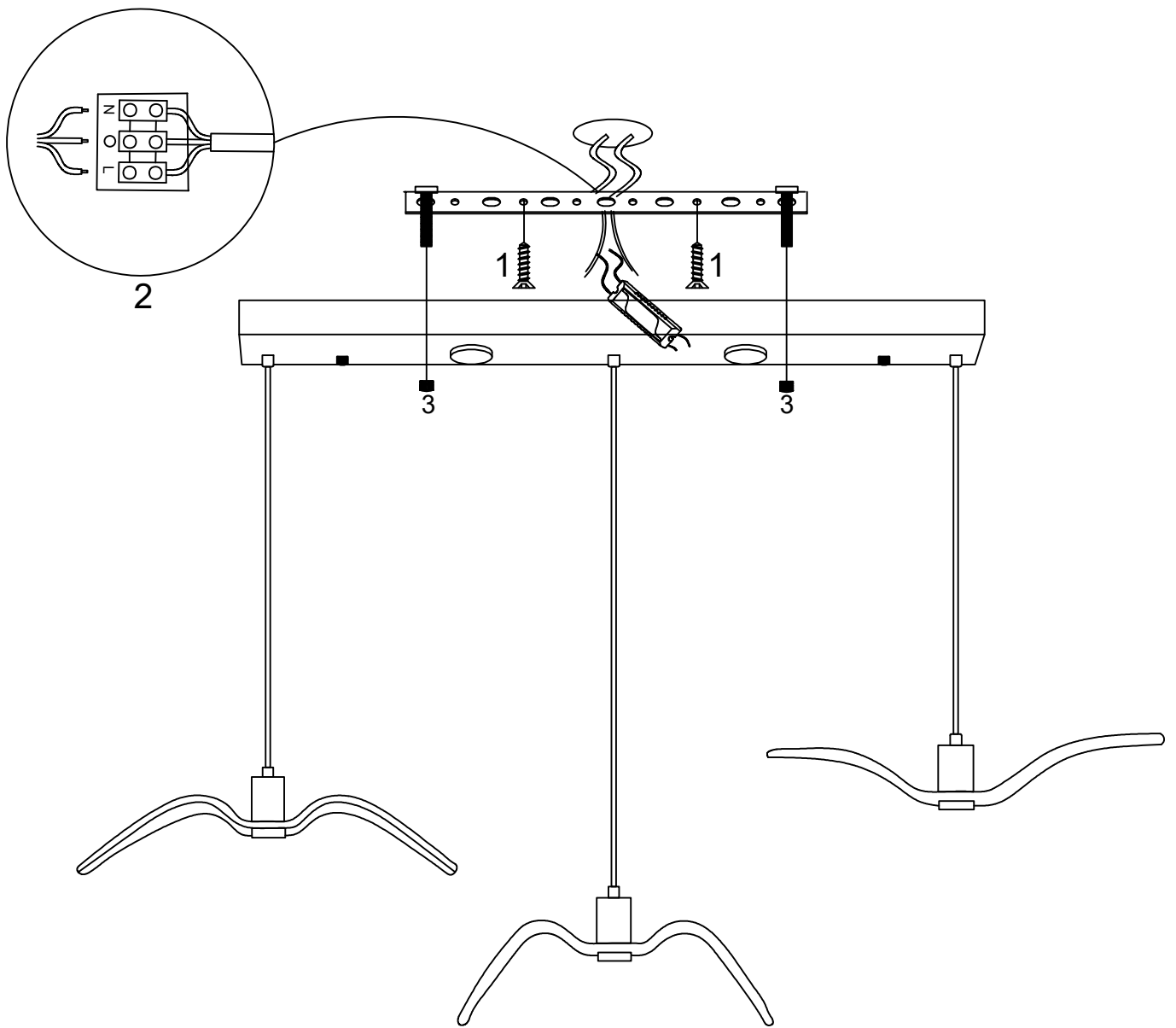


Seagull Resin Pendant Light-3heads

1: Fix the hanging board to the ceiling

2: Connect the lamp wires to the reserved wires

3: Tighten the nut to secure the lamp body

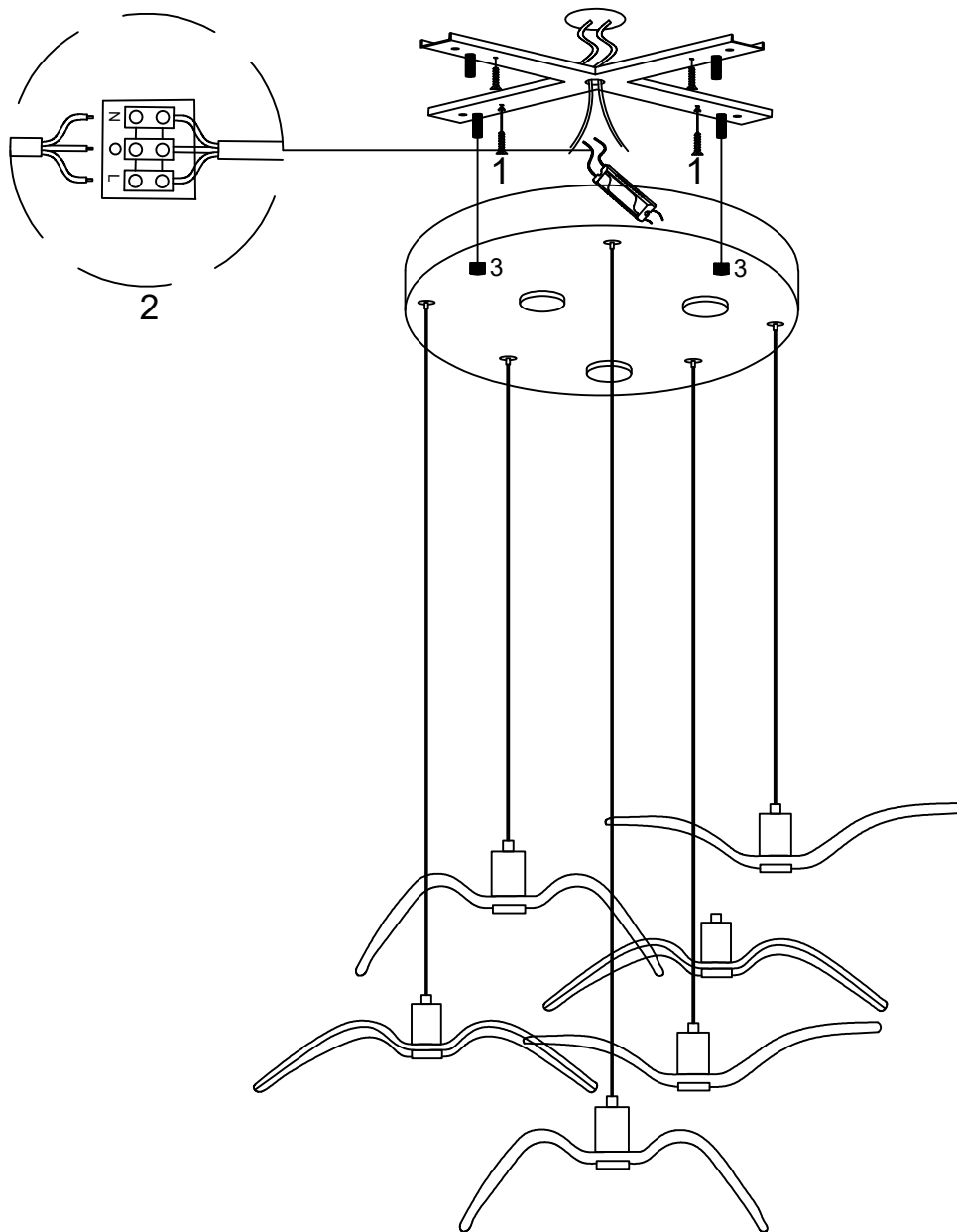


Seagull Resin Pendant Light-6heads

1: Fix the hanging board to the ceiling

2: Connect the lamp wires to the reserved wires

3: Tighten the nut to secure the lamp body



Seagull Resin Pendant Light-6heads

1: Fix the hanging board to the ceiling

2: Connect the lamp wires to the reserved wires

3: Tighten the nut to secure the lamp body

