

1: Fix the steel wire securely

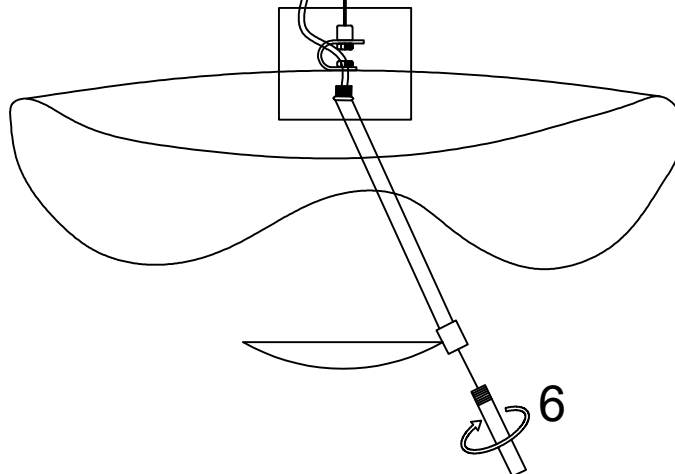
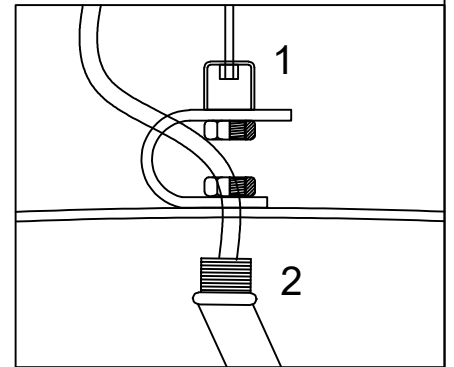
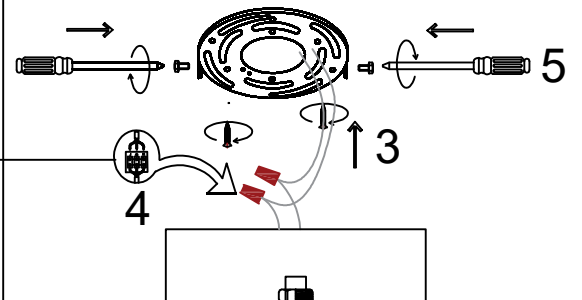
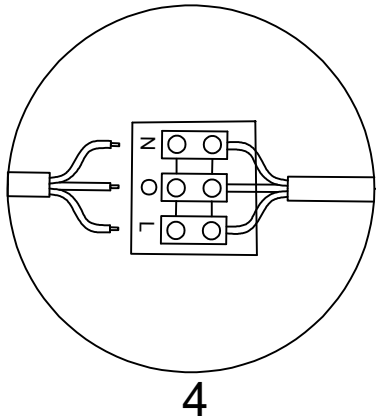
2: Thread through the power cord and tighten the light arm with a nut

3: Fix the hanging board to the ceiling

4: Connect the lamp wires to the reserved wires

5: Fix the ceiling tray and hanging board from the side

6: Tighten the circular tube



Scan the code to watch  
the installation video

1: Fix the steel wire securely

2: Thread through the power cord and tighten the light arm with a nut

3: Series connection

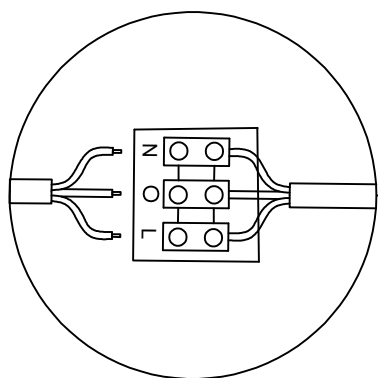
4: Tighten the nut to secure the lamp body

5: Fix the hanging board to the ceiling

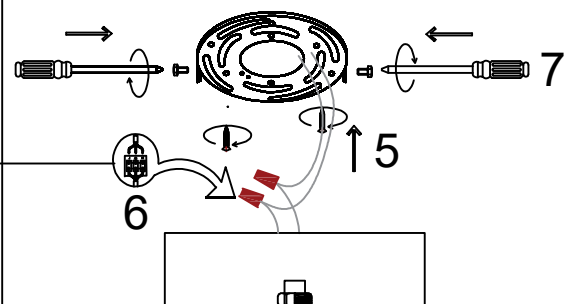
6: Connect the lamp wires to the reserved wires

7: Fix the ceiling tray and hanging board from the side

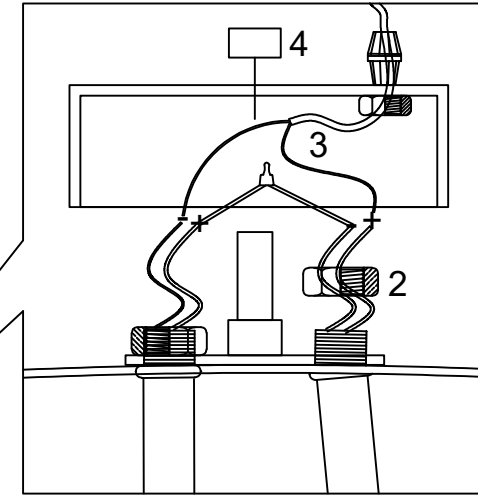
8: Tighten the circular tube



6

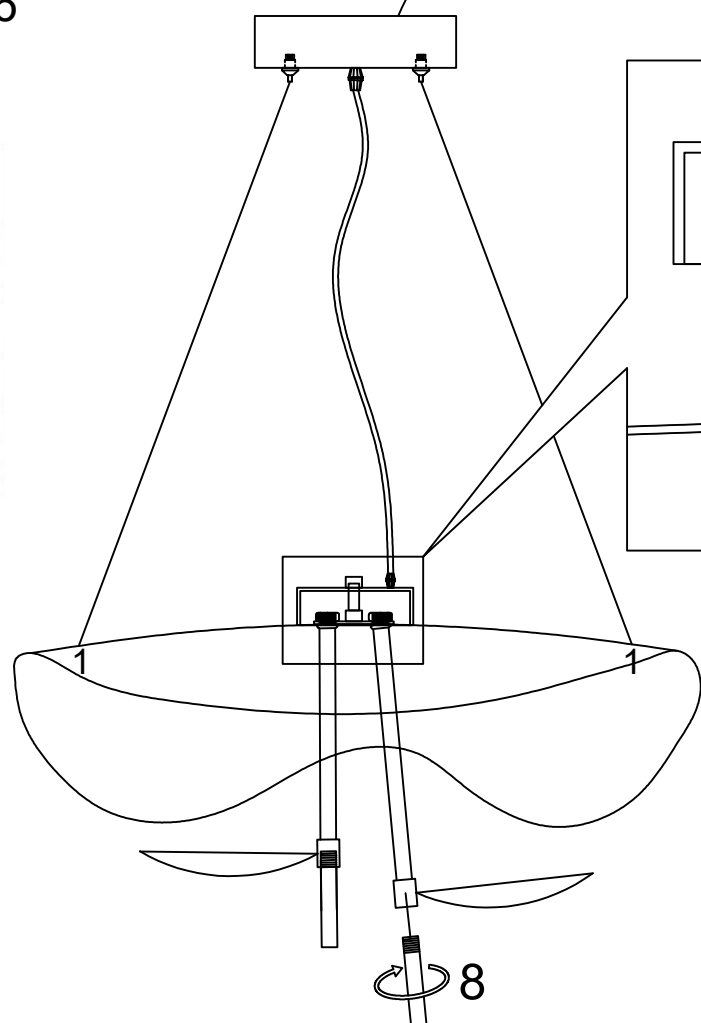


7



4

2



Scan the code to watch the installation video