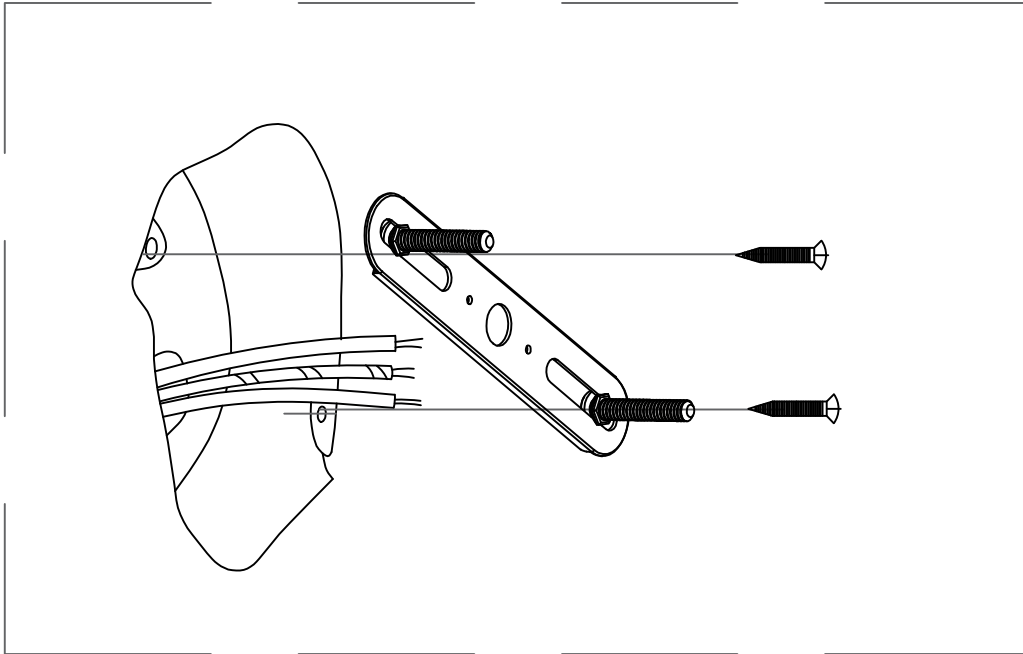
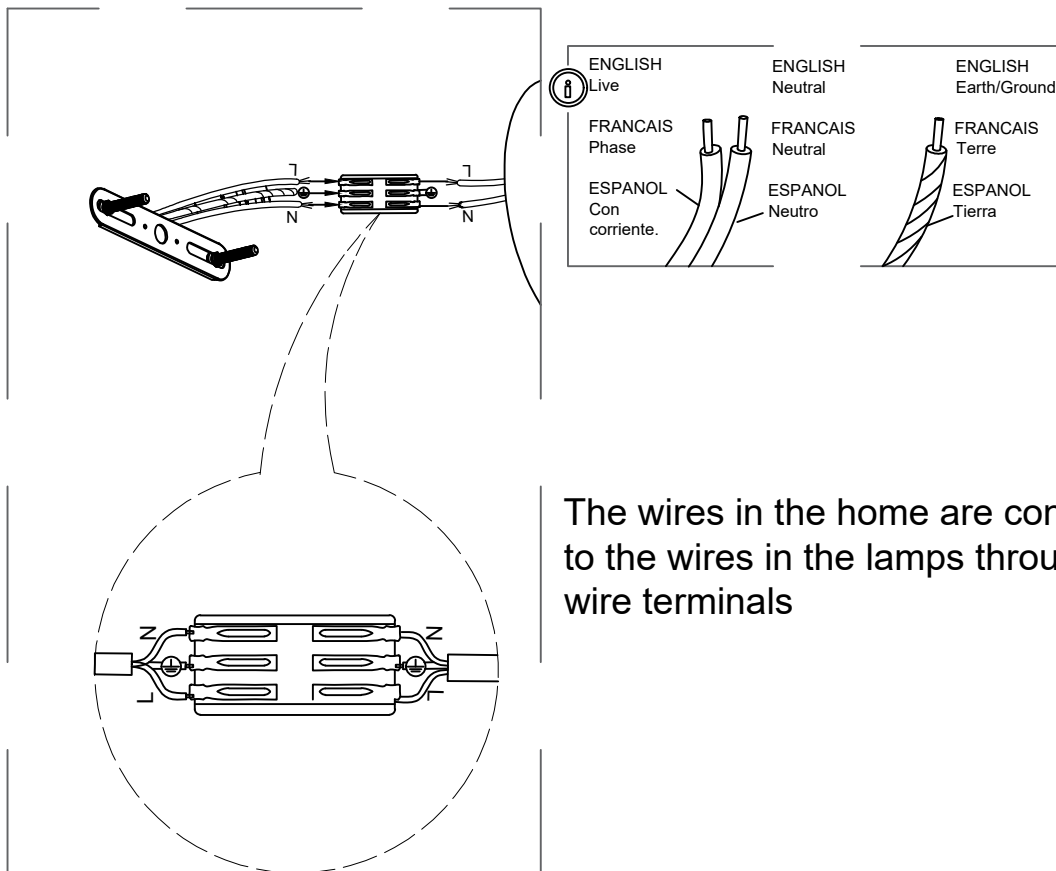


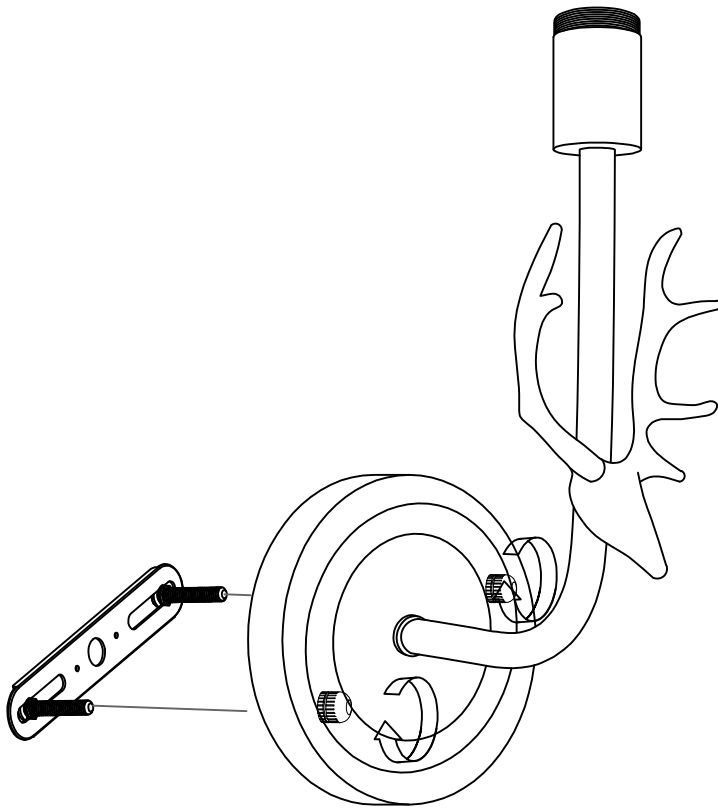
# 1



Attach the hanging plate to the wall with screws

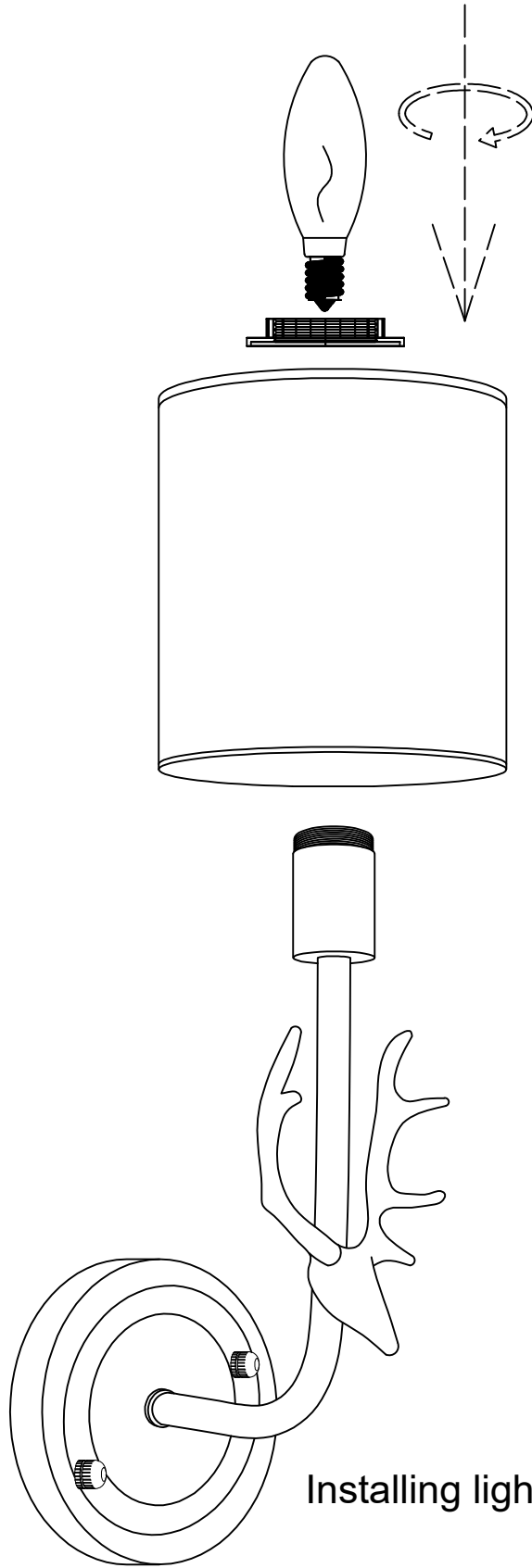


2



Attach the lamp body to the hanging plate with a hand nut

3



Installing light source and lampshade