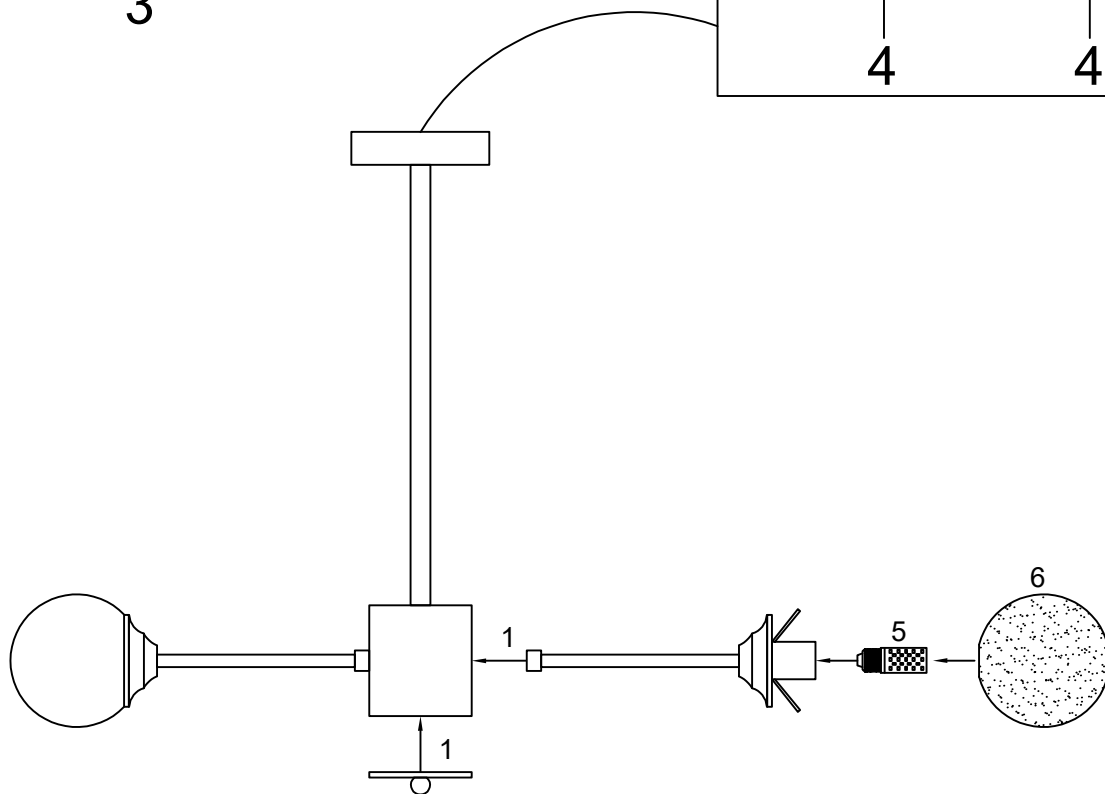
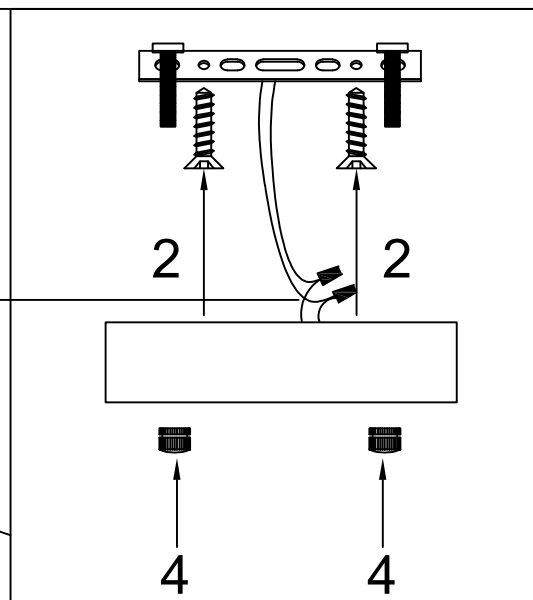
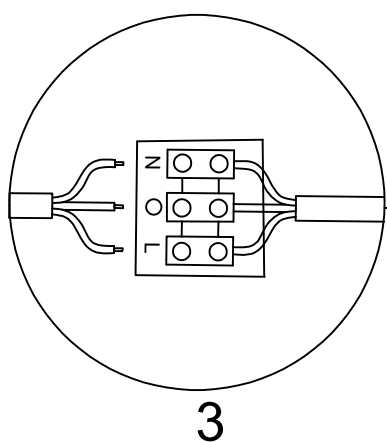


- 1: Assembly of lamp body
- 2: Fix the hanging board to the ceiling
- 3: Connect the lamp wires to the reserved wires
- 4: Tighten the nut to secure the lamp body
- 5: Installing bulb
- 6: Install the lampshade



- 1: Assembly of lamp body
- 2: Fix the hanging board to the ceiling
- 3: Connect the lamp wires to the reserved wires
- 4: Tighten the nut to secure the lamp body
- 5: Installing bulb
- 6: Install the lampshade

