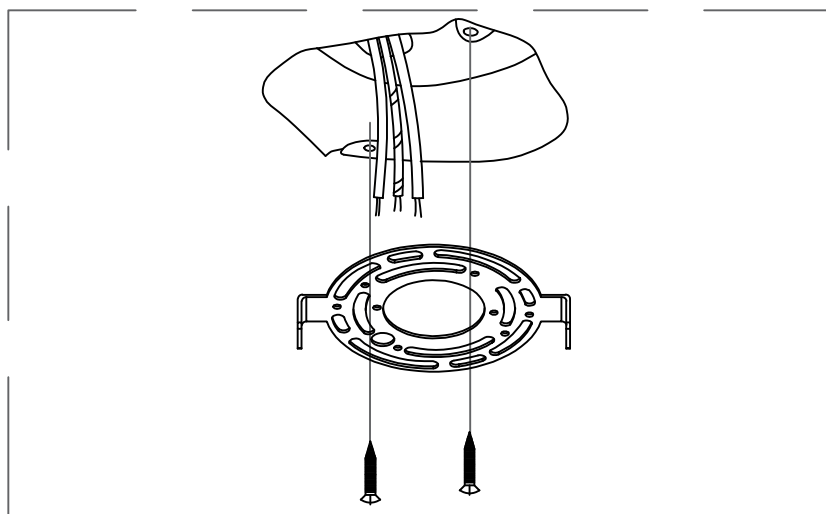
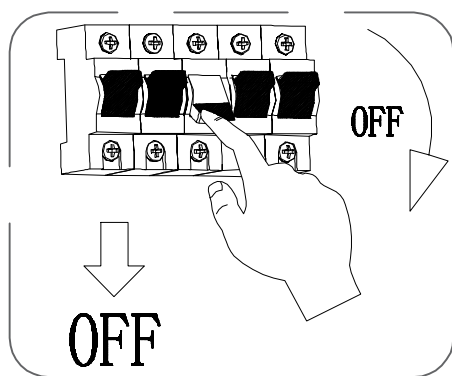
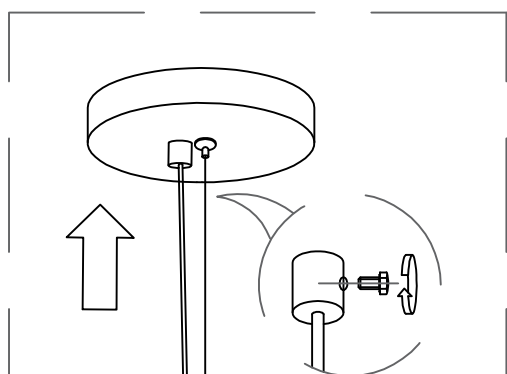


1

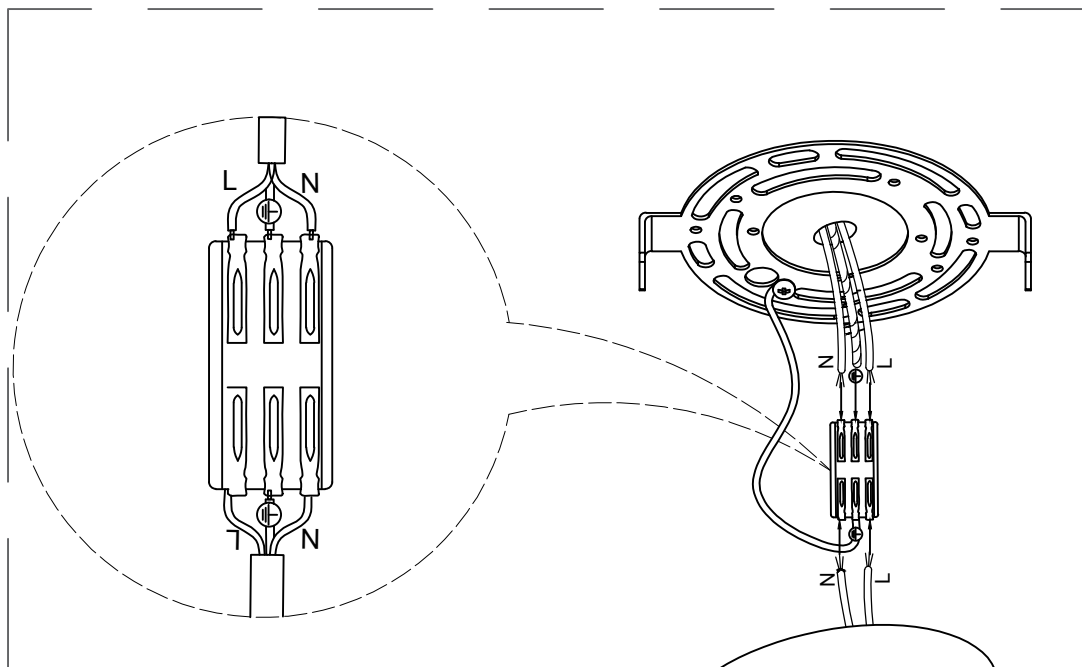


Fasten the hanging board to the ceiling with screws



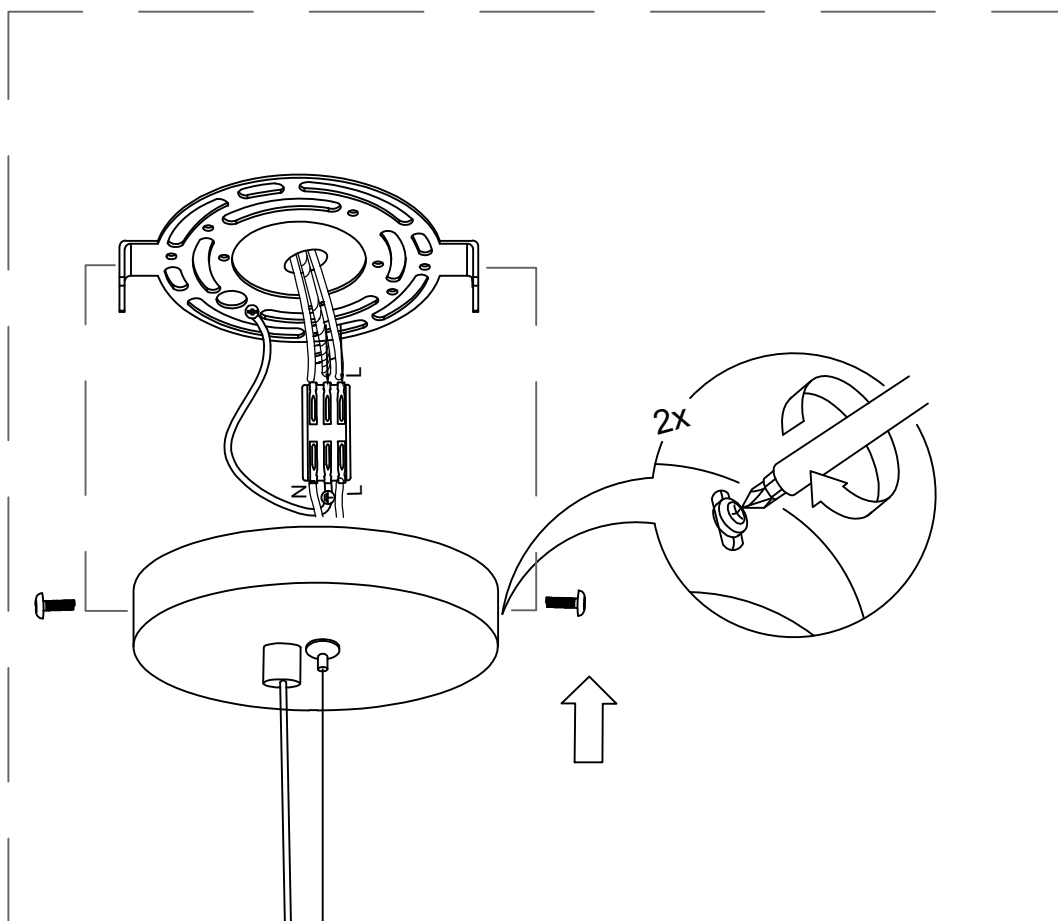
After adjusting the line length, fix it with screws.

2



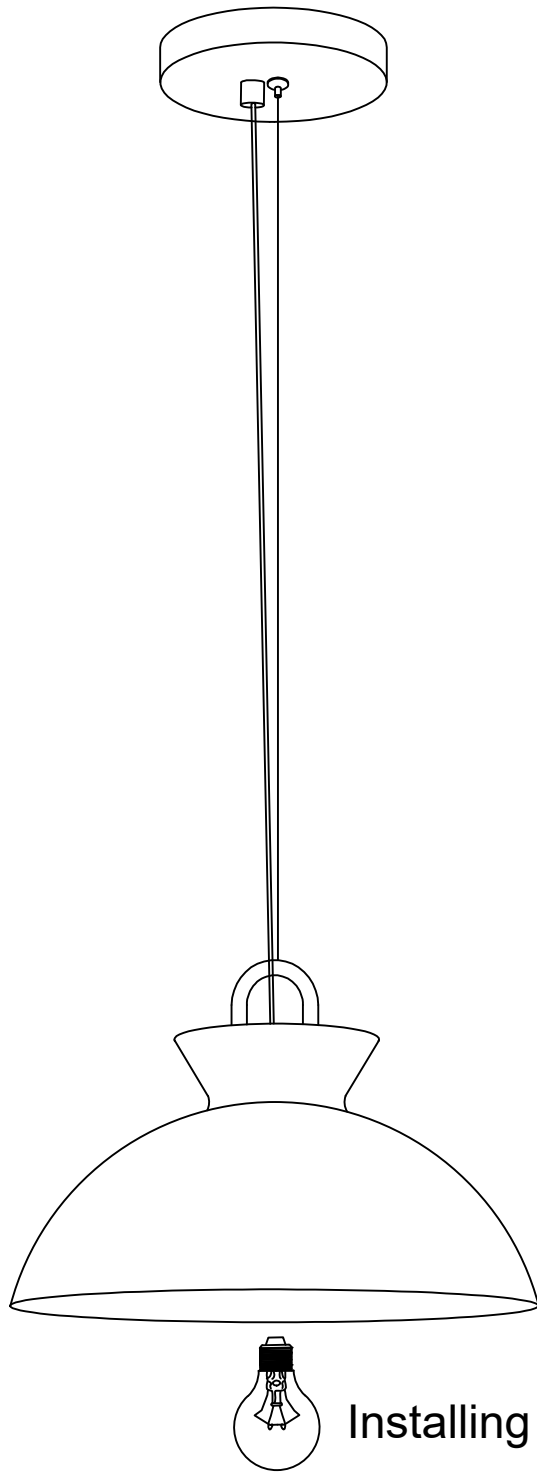
The wires in the home are connected to the wires in the lamps through the wire terminals

3

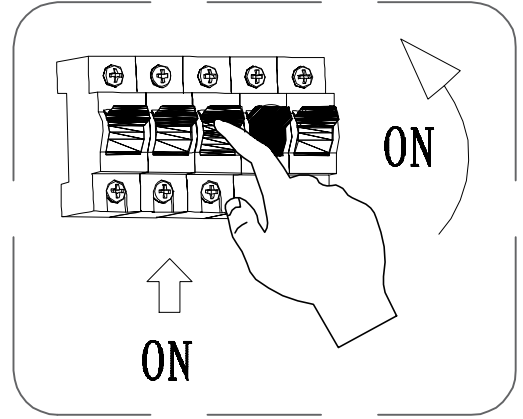
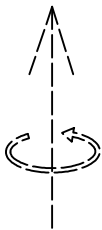


The side screws fix the lamp body to the ceiling plate

4



Installing light source



ON

ON