

1:Assembly of lamp body

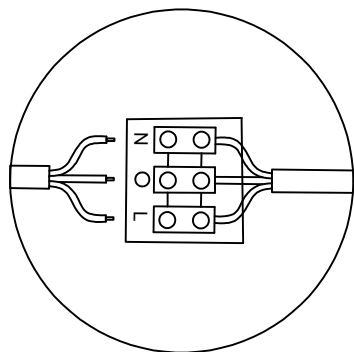
2:Fix the hanging board to the ceiling

3:Connect the lamp wires to the reserved wires

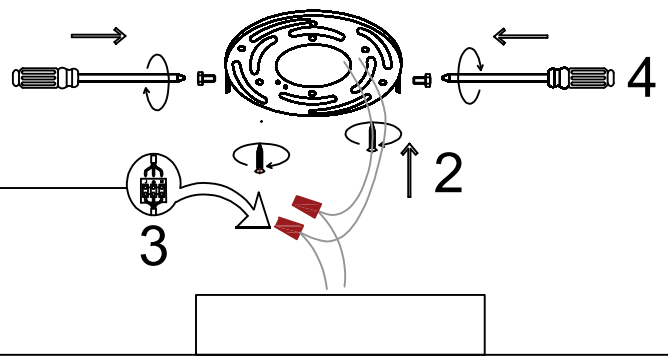
4:Fix the ceiling tray and hanging board from the side

5:Tighten the lampshade with a ring

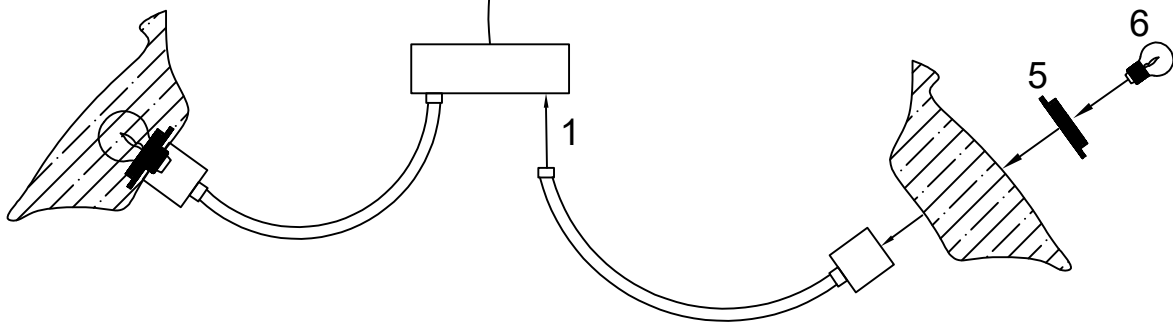
6:Installing bulb



3



Enlarged Detail



1

5

6