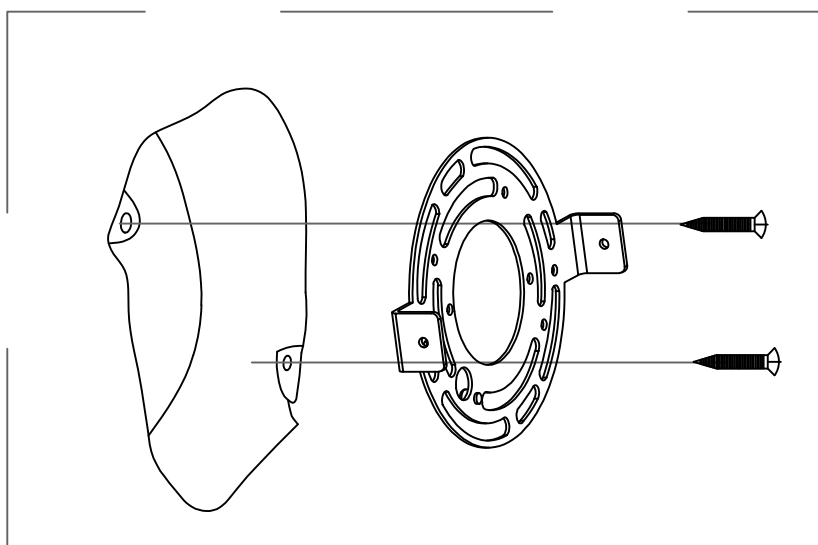
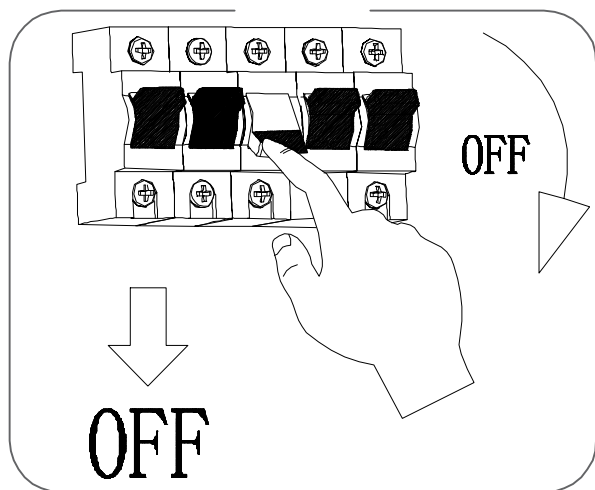
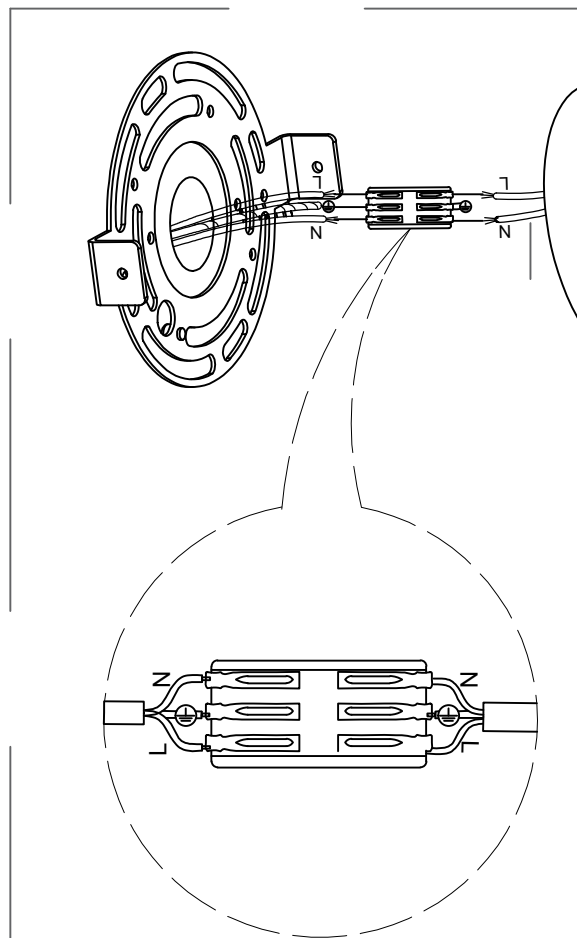
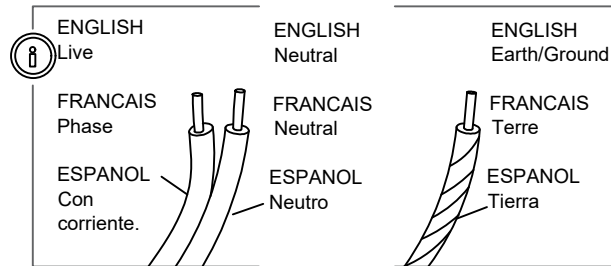


1



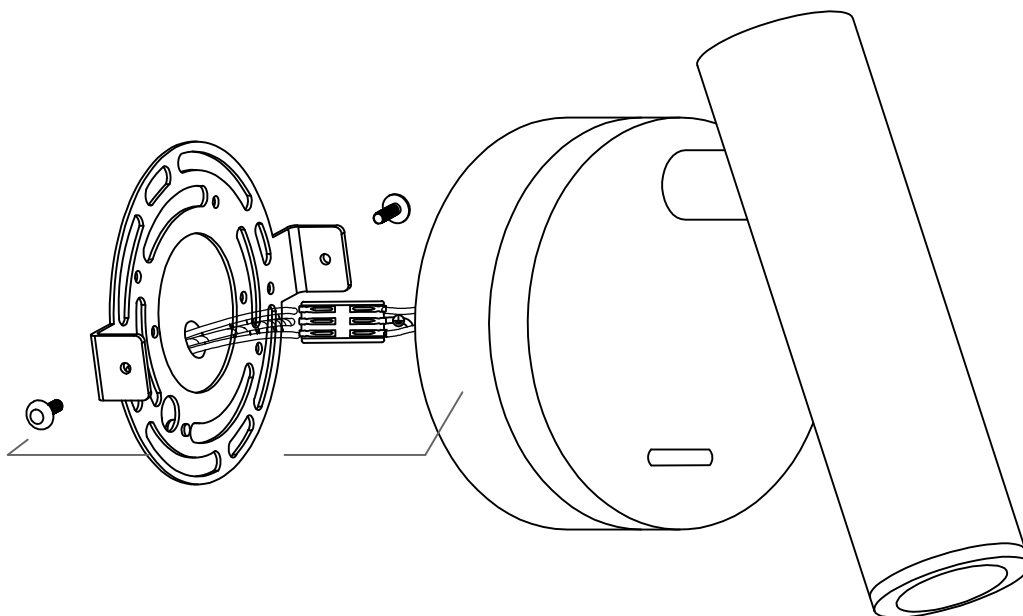
Fix the hanging plate to the wall with screws

2



The wires in the home are connected to the wires in the lamps through the wire terminals

3



The side screws fix the lamp body to the hanging plate

