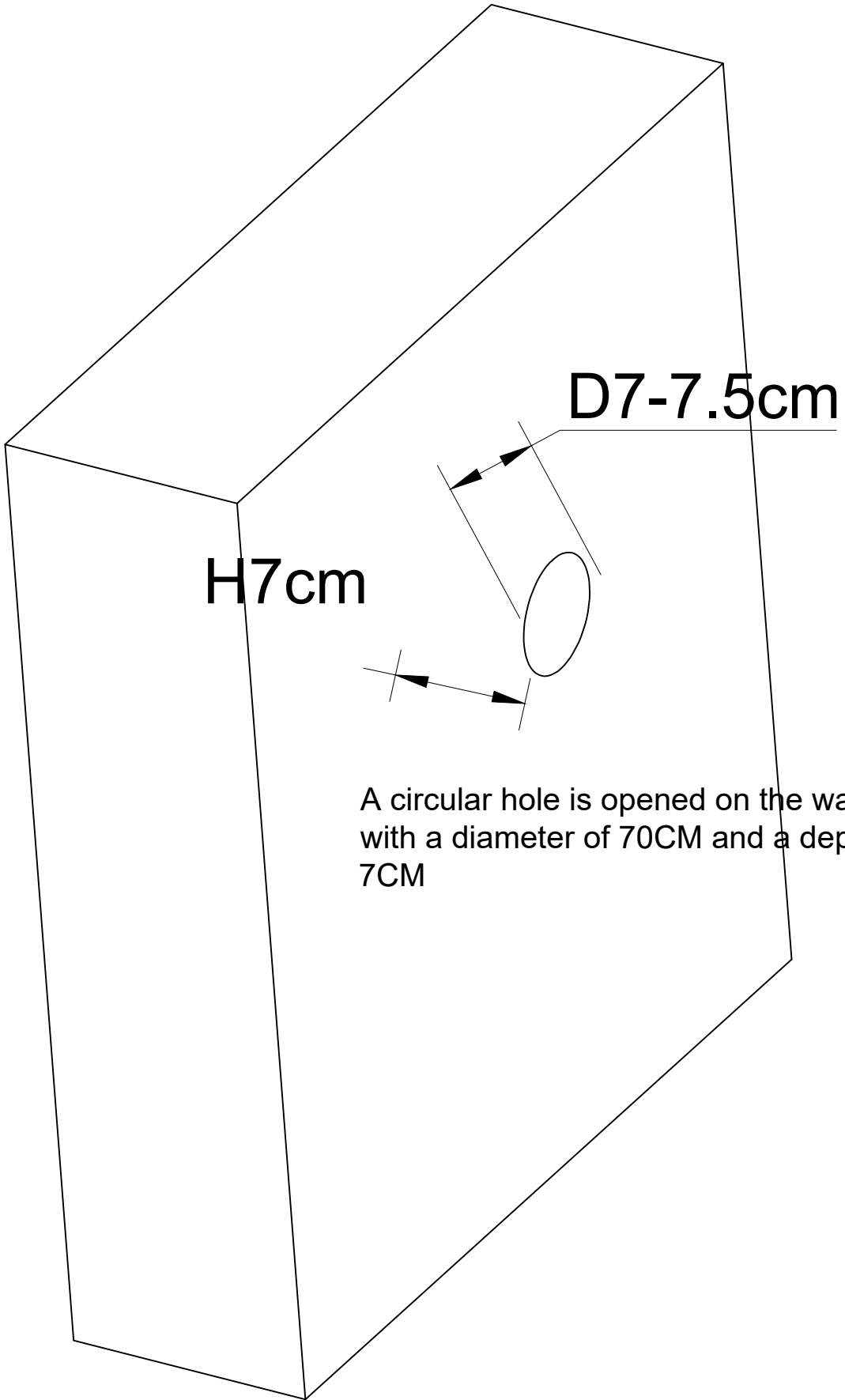
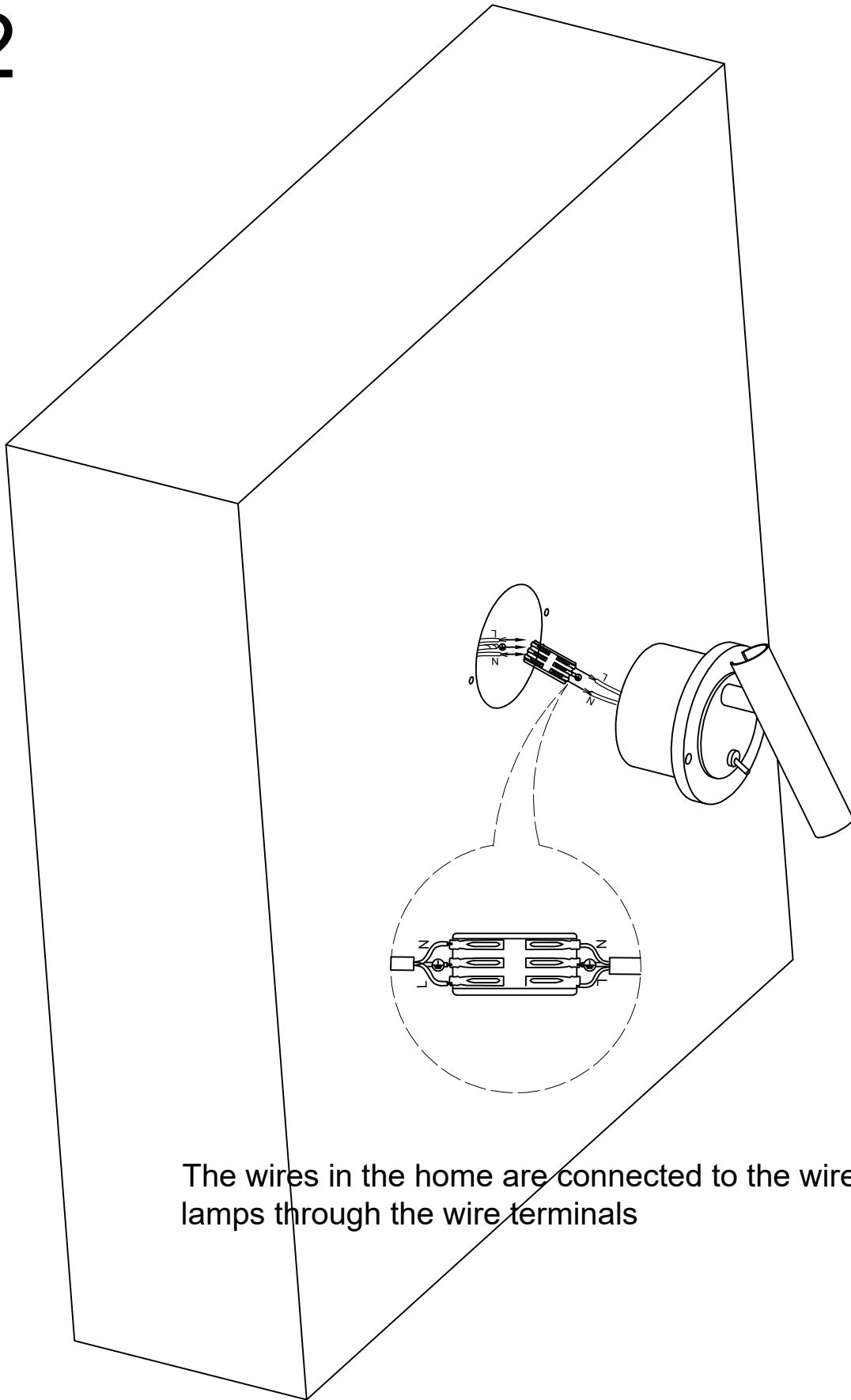


1



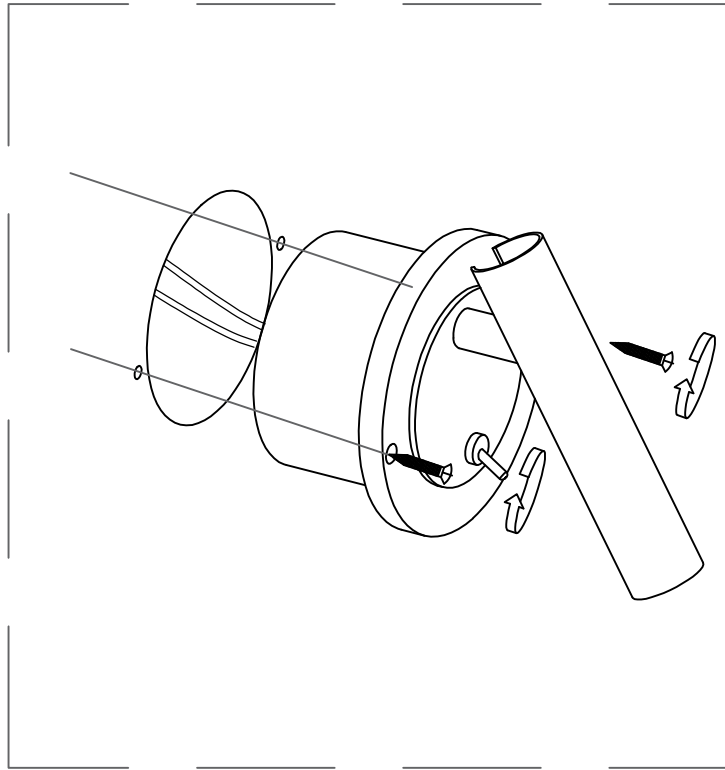
A circular hole is opened on the wall with a diameter of 70CM and a depth of 7CM

2

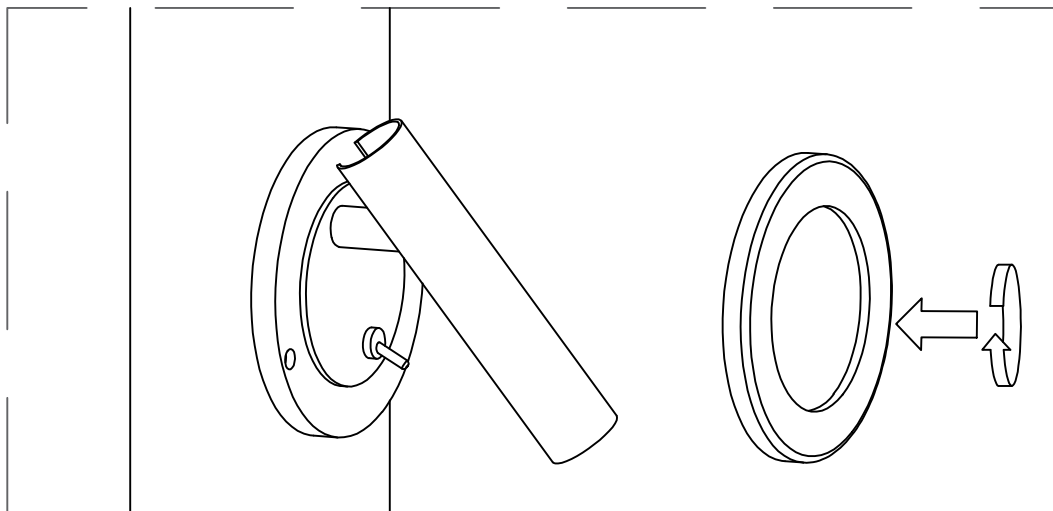


The wires in the home are connected to the wires in the lamps through the wire terminals

3



Fix the lamp body to the wall with screws



The lamp cover is rotatably mounted on the lamp body