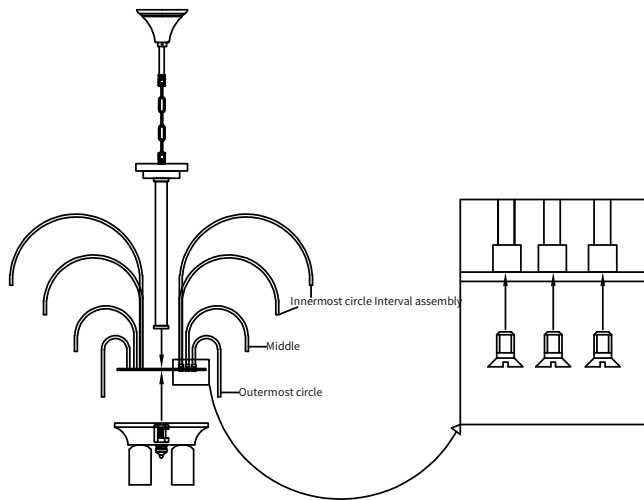


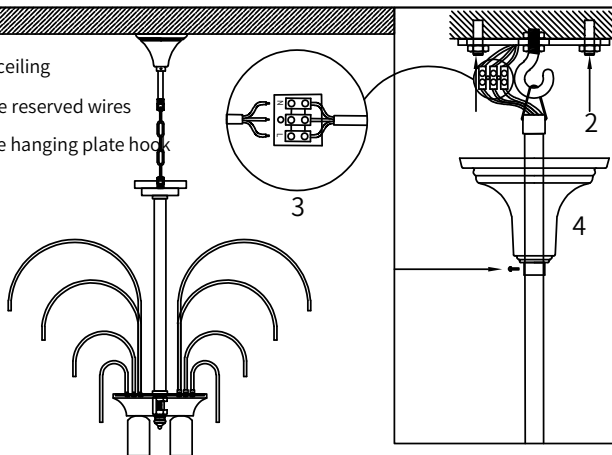
1: Assembly of lamp body



2: Fix the hanging board to the ceiling

3: Connect the lamp wires to the reserved wires

4: Connect the lamp body to the hanging plate hook



5:Hanging buckle crystal

