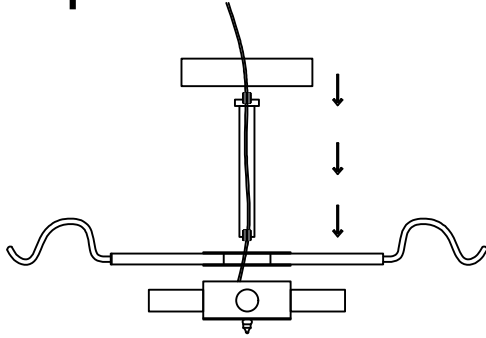
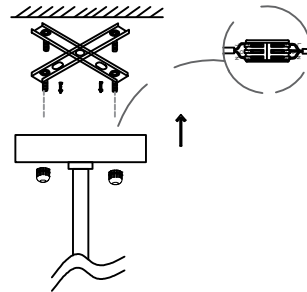


1



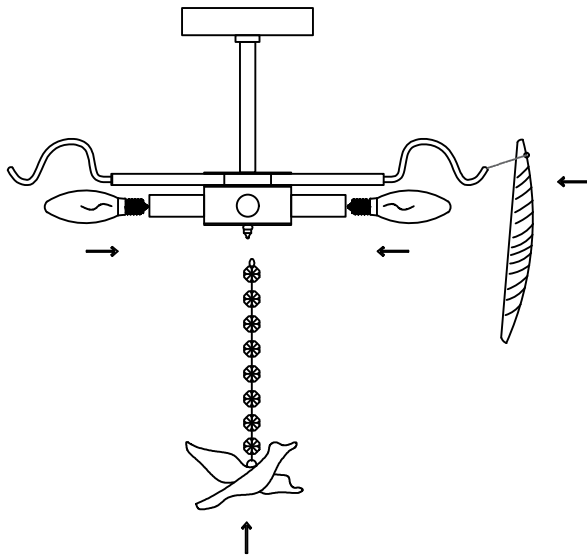
Assemble all parts of the lamp body together

2



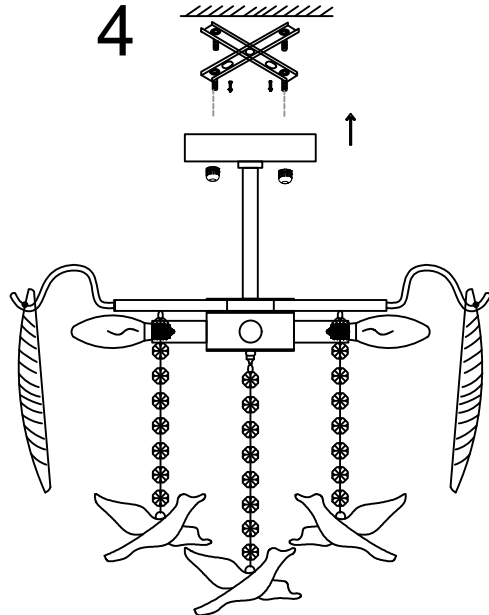
Fix the hanging board on the ceiling with screws, and connect the wires in the home to the lighting wires

3



Install light source and hang glass

4



Fix the lamp body to the hanging board on the ceiling with handmade nuts