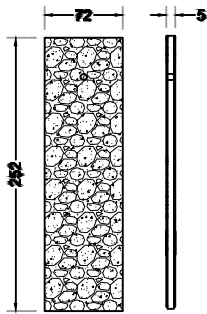
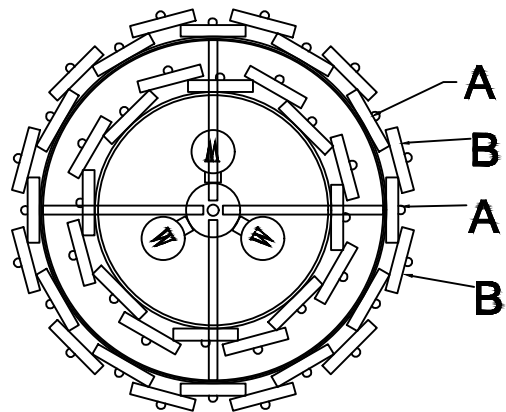
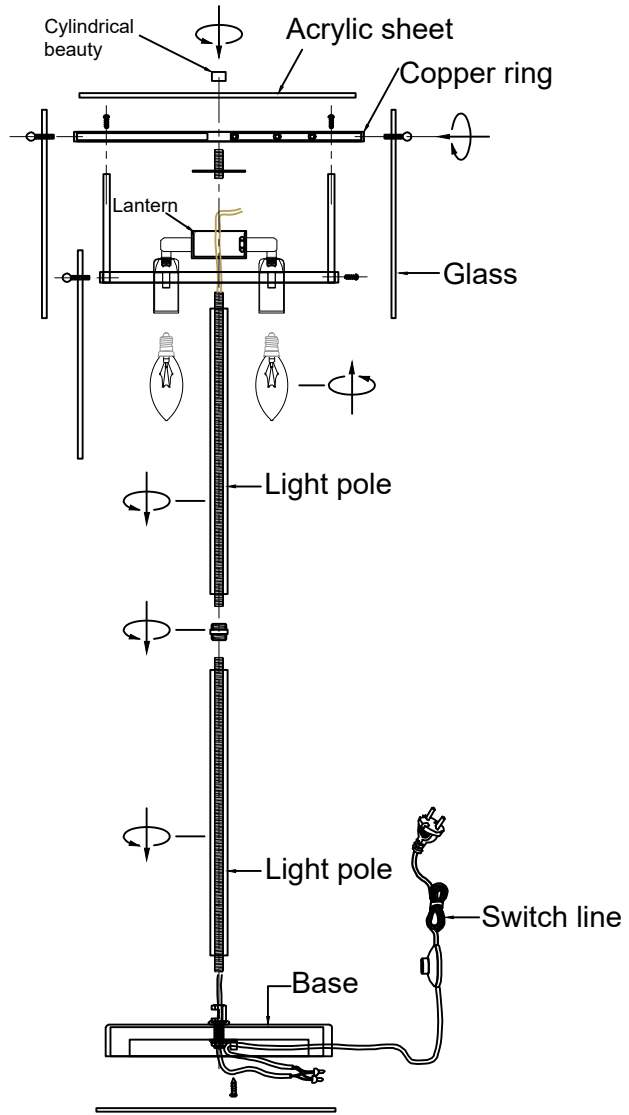
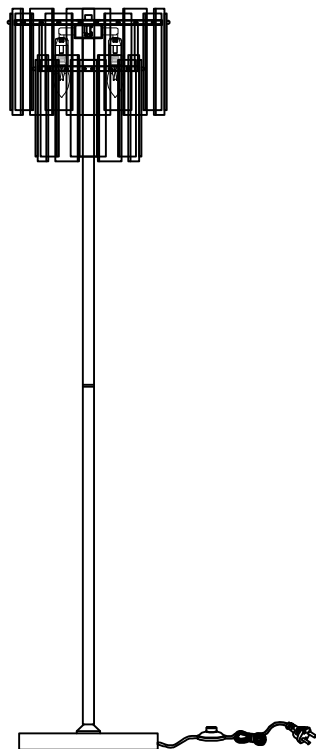


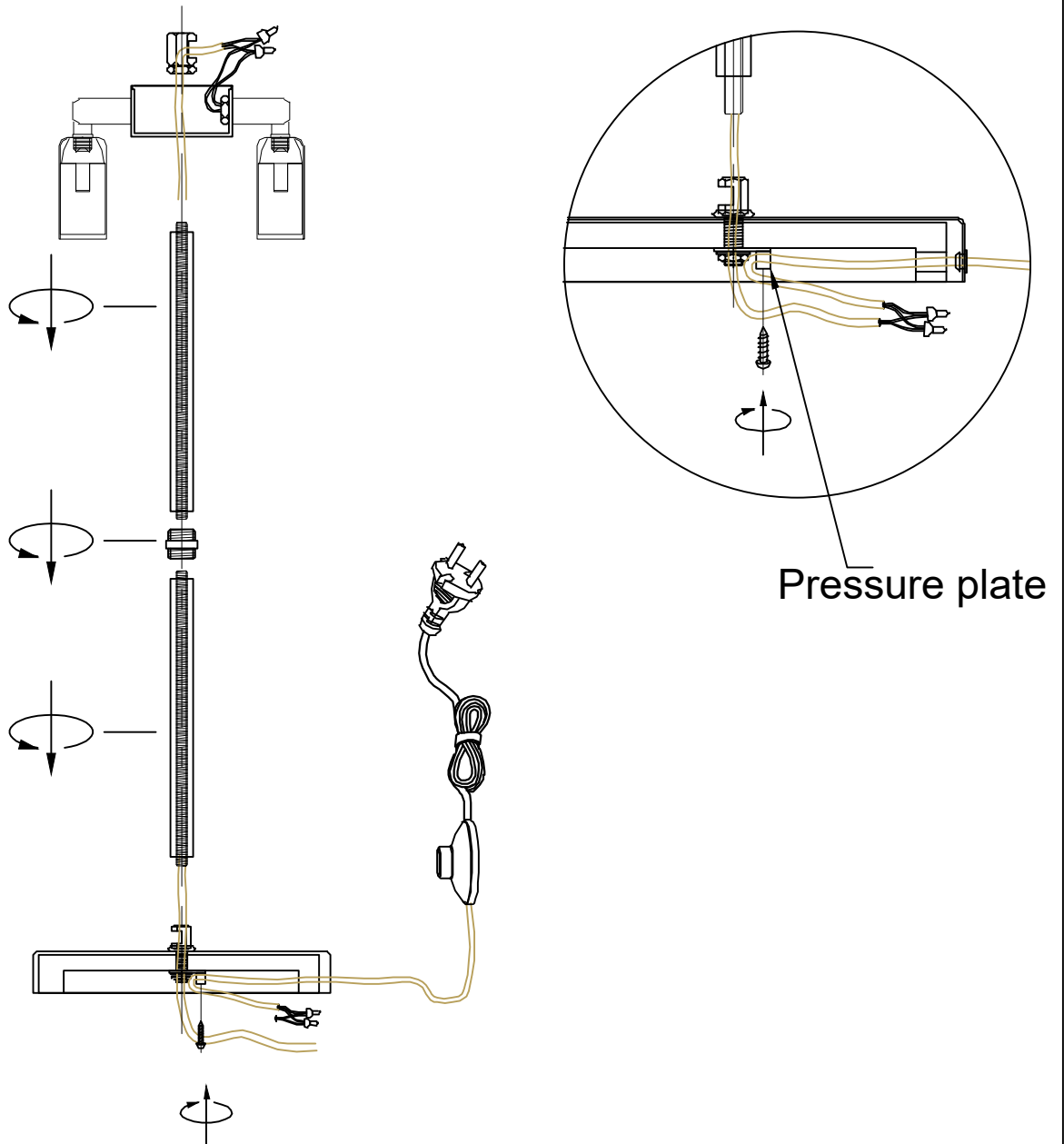
A 60x230xT5 Transparent glass
*12PCS



B 60x210xT5 Transparent glass
*12PCS

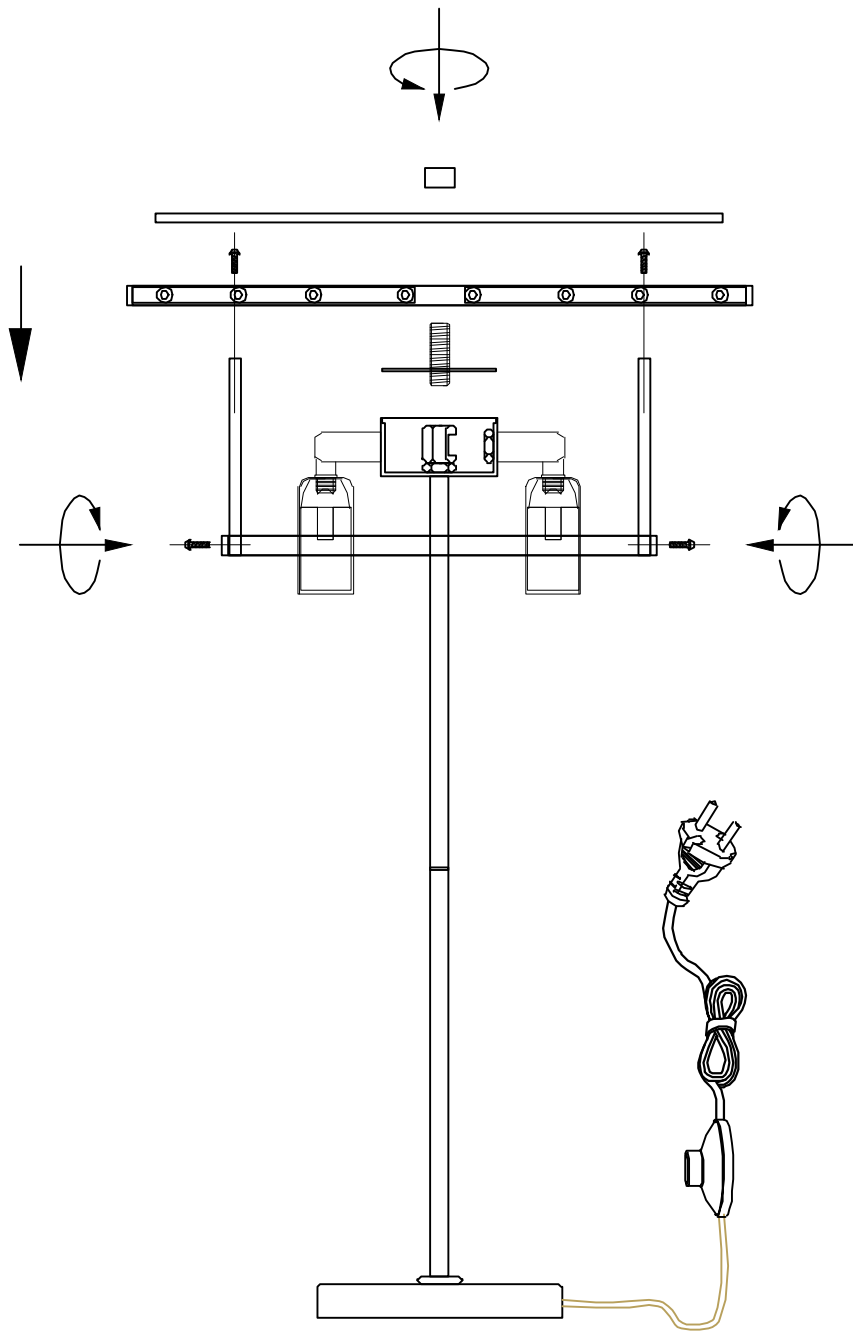


1



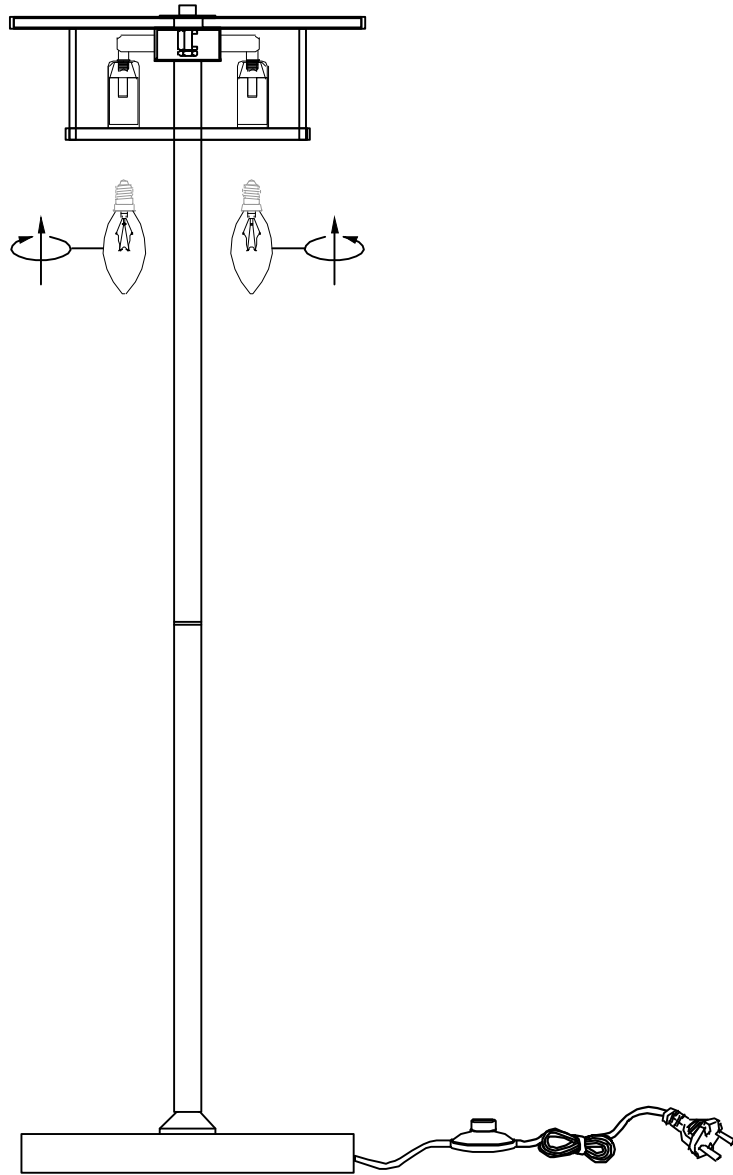
Connect the base to the lamp pole, insert the main line into the base and connect it to the switch line, press the switch line with a wire pressing plate, and stick a flannel pad on it;

2



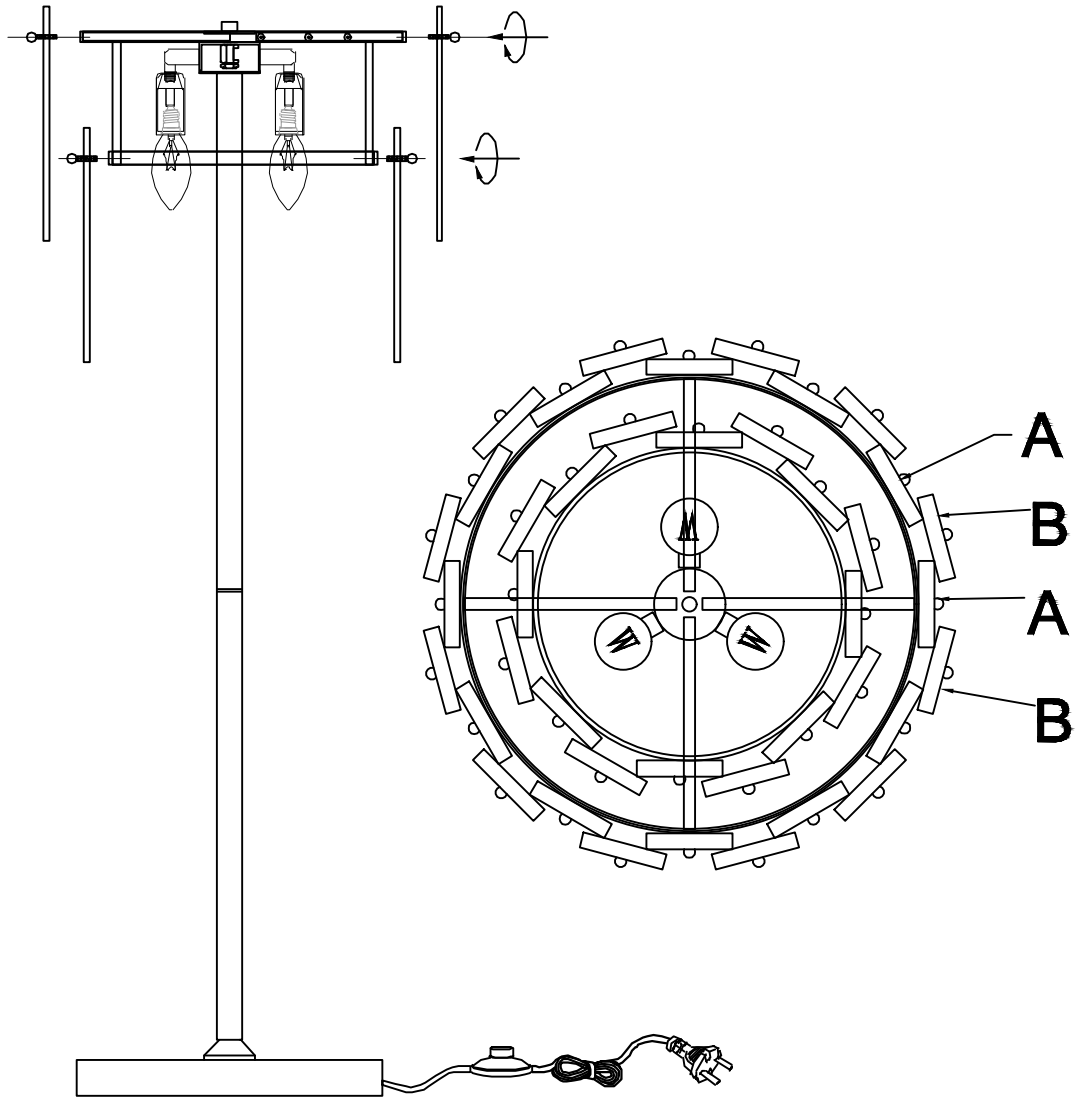
Use a cylinder to lock the copper ring and acrylic sheet on the lamp.

3



Installing the light source

4



Use beads to lock the glass pieces on the copper ring. Install them alternately as shown in the figure, with the long glass A on the bottom layer and the short glass B on the surface layer.