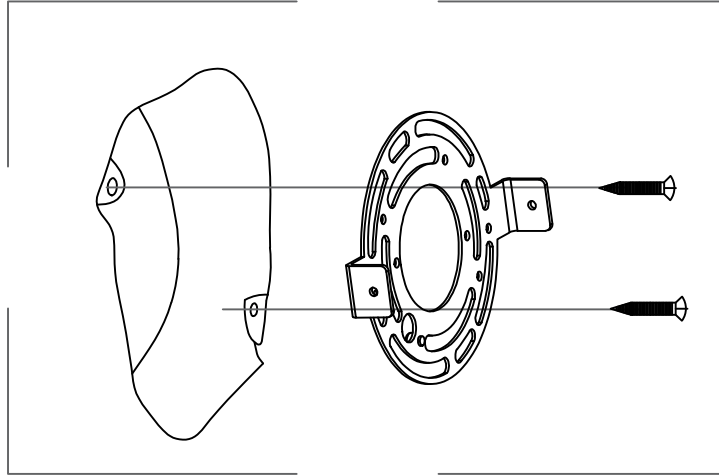
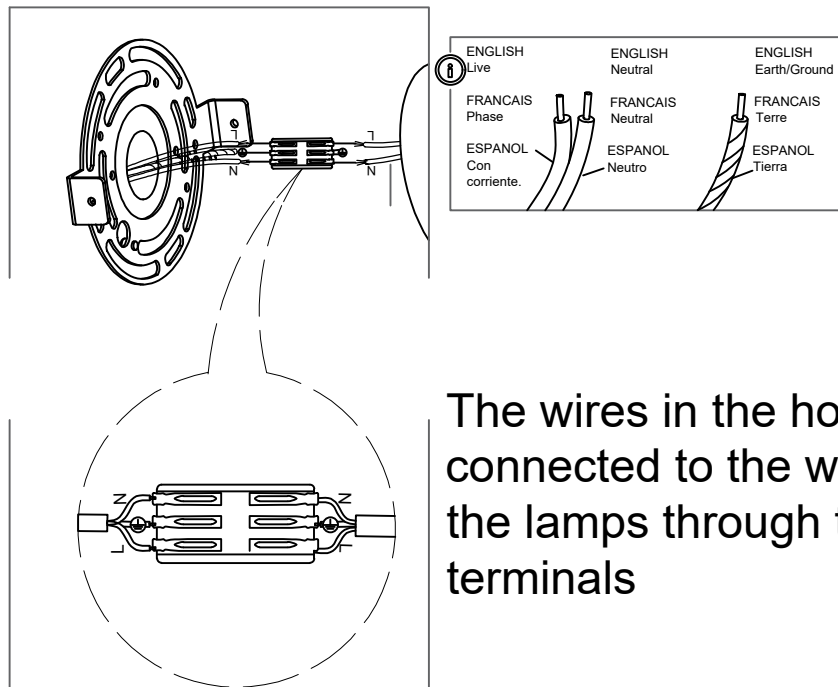


1

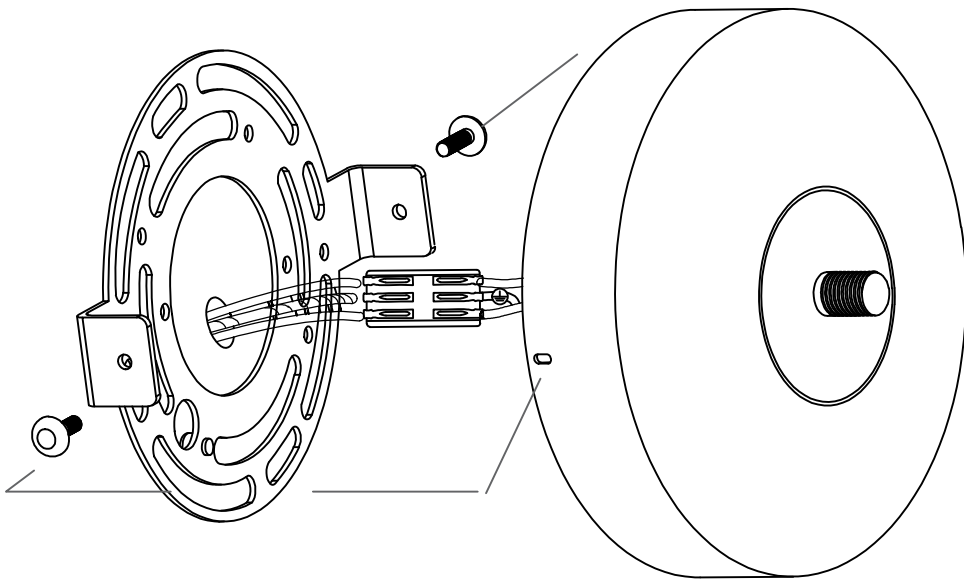


Fix the hanging plate to the wall with screws



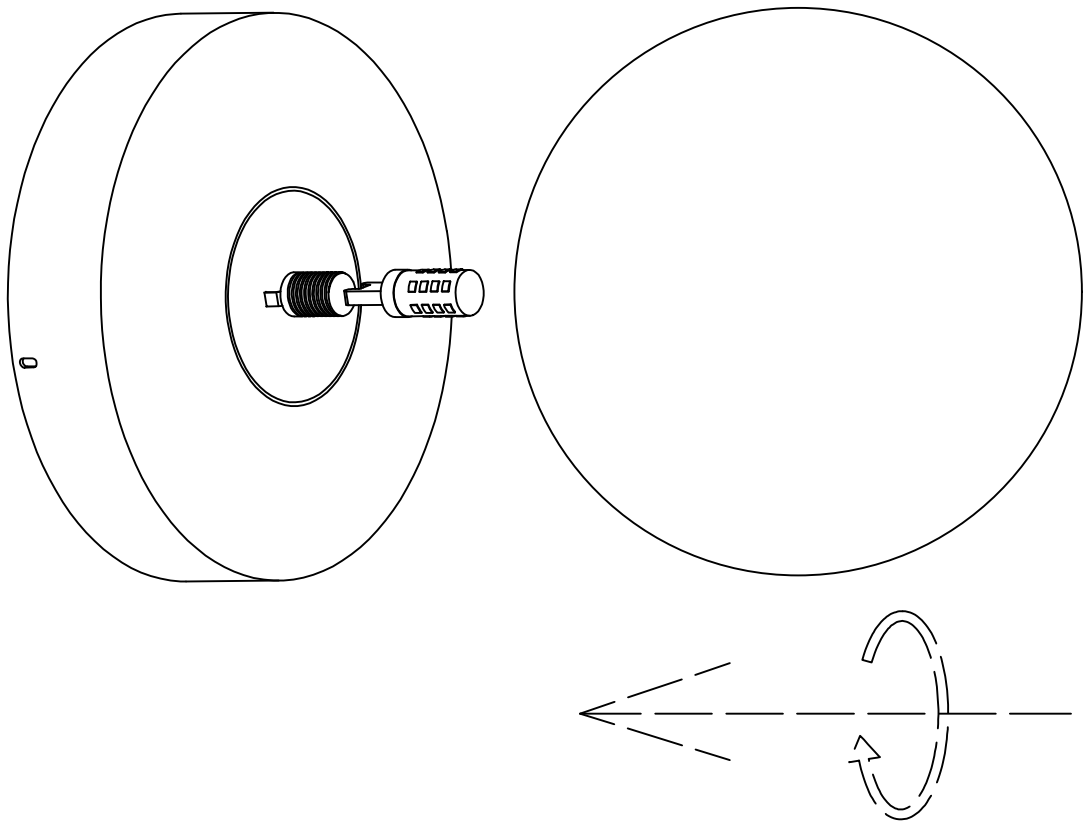
The wires in the home are connected to the wires in the lamps through the wire terminals

2



The side screws fix the lamp body to the hanging plate

3



Installing light source and lampshade