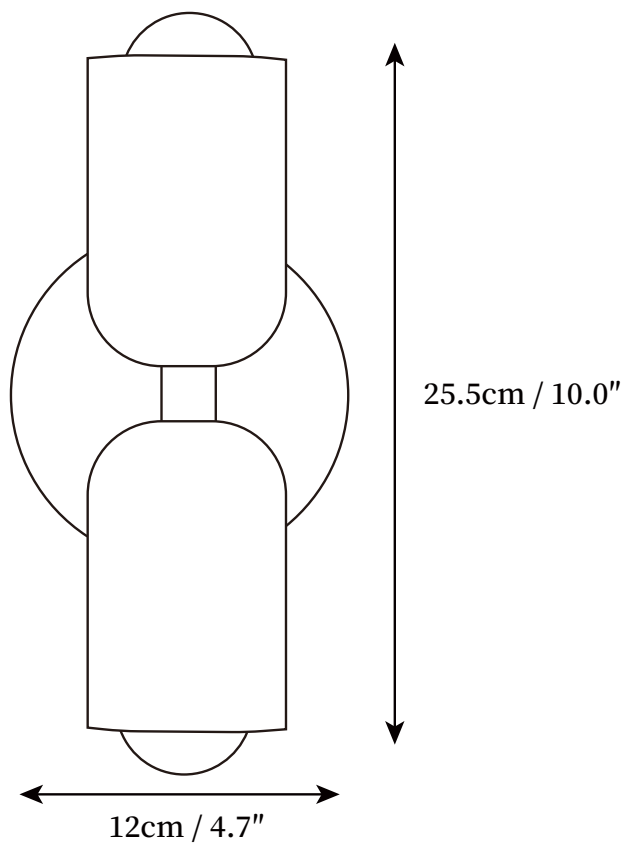


SPECIFICATION SHEET



SPECIFICATION DETAILS

*For custom options, consult factory for details

| | |
|---------------------------|--|
| Fixture Dimensions | Ø 4.7" x H 10" |
| Light source | E26 or E27 (bulb not included) |
| Wattage | MAX 40W incandescent bulb or LED equivalent. |
| Voltage | AC 110-240V |
| Mounting | Hardwired. |
| Dimming | Compatible with dimmable bulbs (bulb not included) |
| Control method | Compatible with common wall switches (not included) |
| Finishes | Black. |
| Shade Details | Red, Green, Pink, Beige, Black, Green & Red, Pink & Red, Beige & Red, Beige & Green, Green & Pink, Green & Black, Beige & Pink, Pink & Black, Beige & Black. |
| Material | Metal |