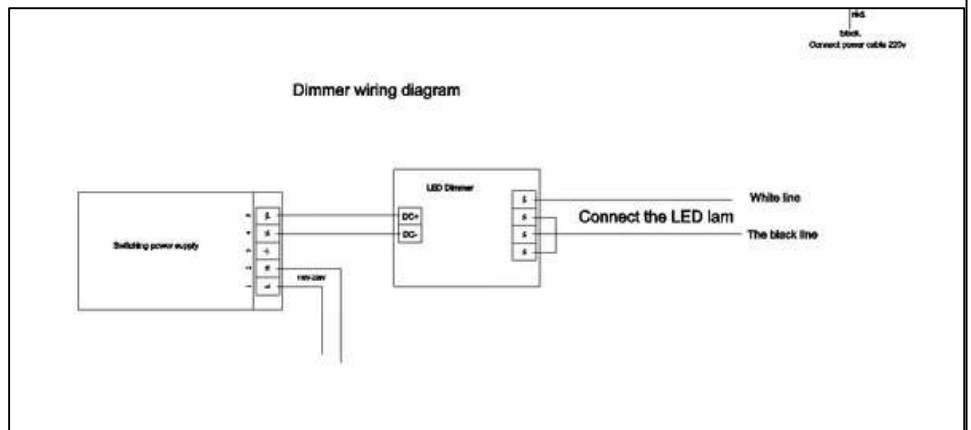
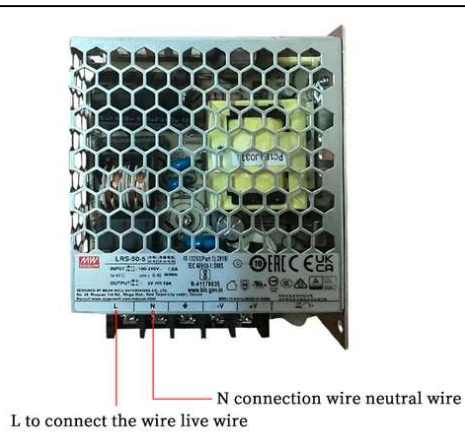


1:Fix the hanging board to the ceiling

2:Reference image wiring

3:Fix the ceiling tray and hanging board from the side

4:Insert lampshade

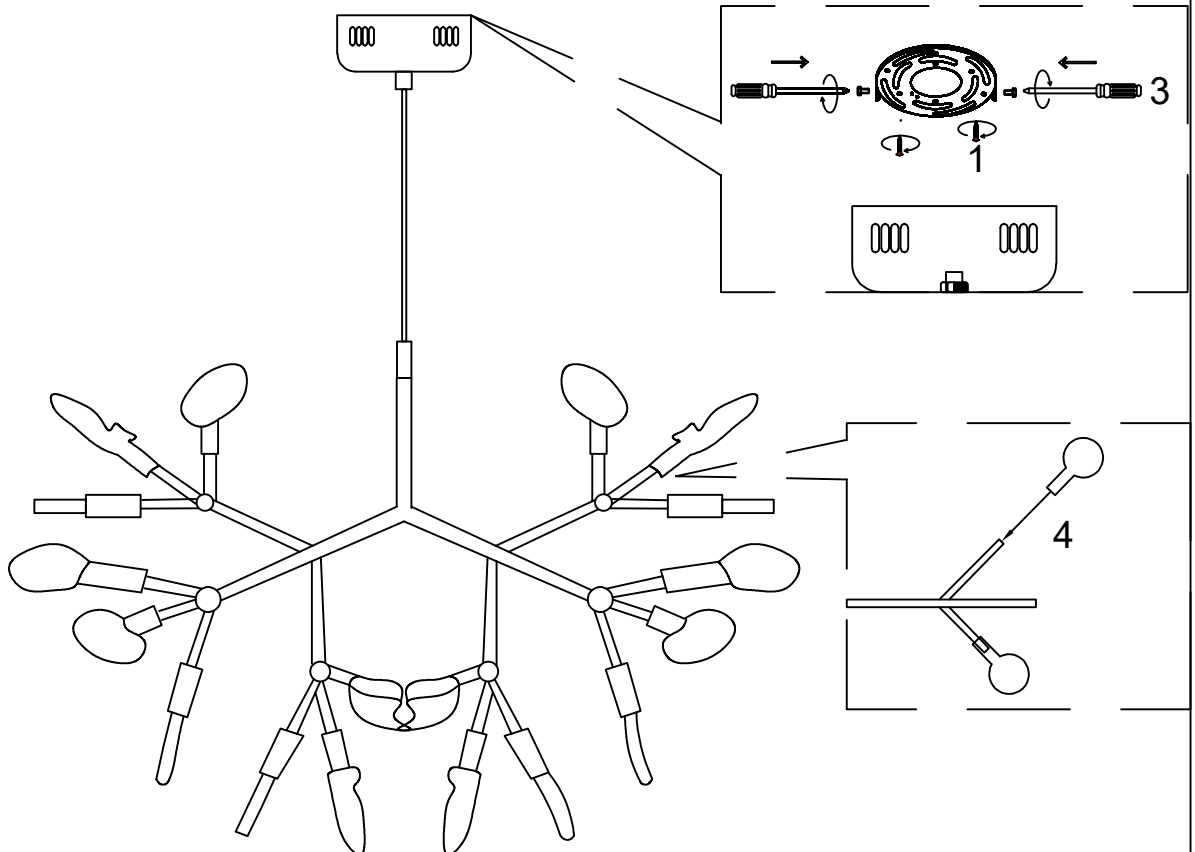


### Electrical connection instructions

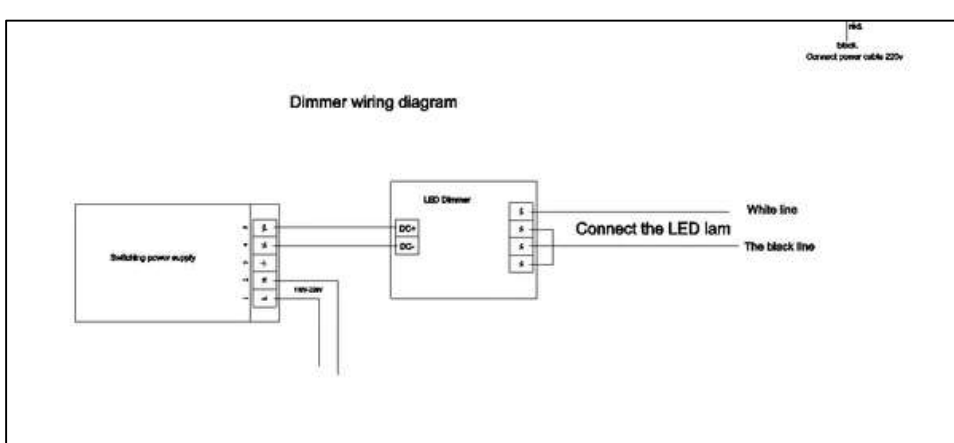
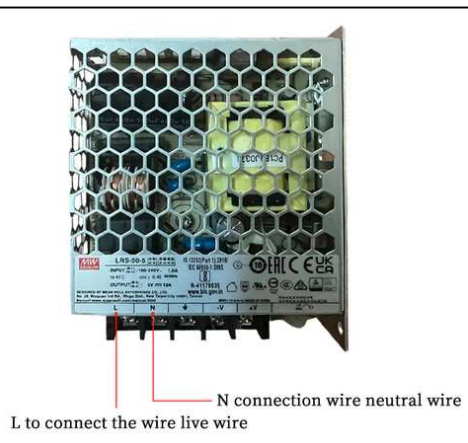
2

### Remote control installation instructions

2-2



- 1: Fix the hanging board to the ceiling
- 2: Reference image wiring
- 3: Fix the ceiling tray and hanging board from the side
- 4: Fix the hardware on the ceiling
- 5: Tighten the locking device and thread the steel wire into it
- 6: Insert lampshade



Electrical connection instructions

2

Remote control installation instructions

2-2

