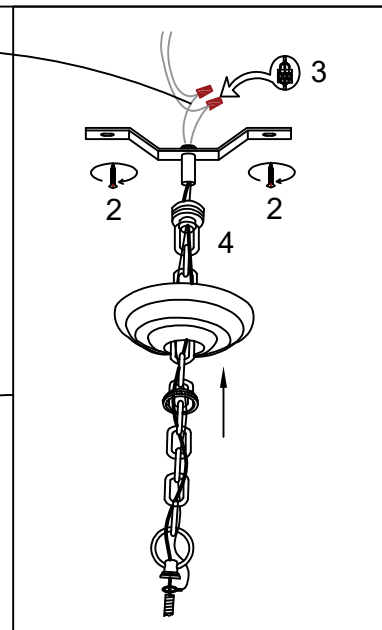
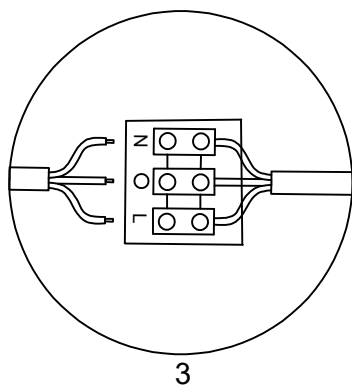


1: Assembly of lamp body

2: Fix the hanging board to the ceiling

3: Connect the lamp wires to the reserved wires

4: Connect the lamp body to the hanging plate



Enlarged Detail

