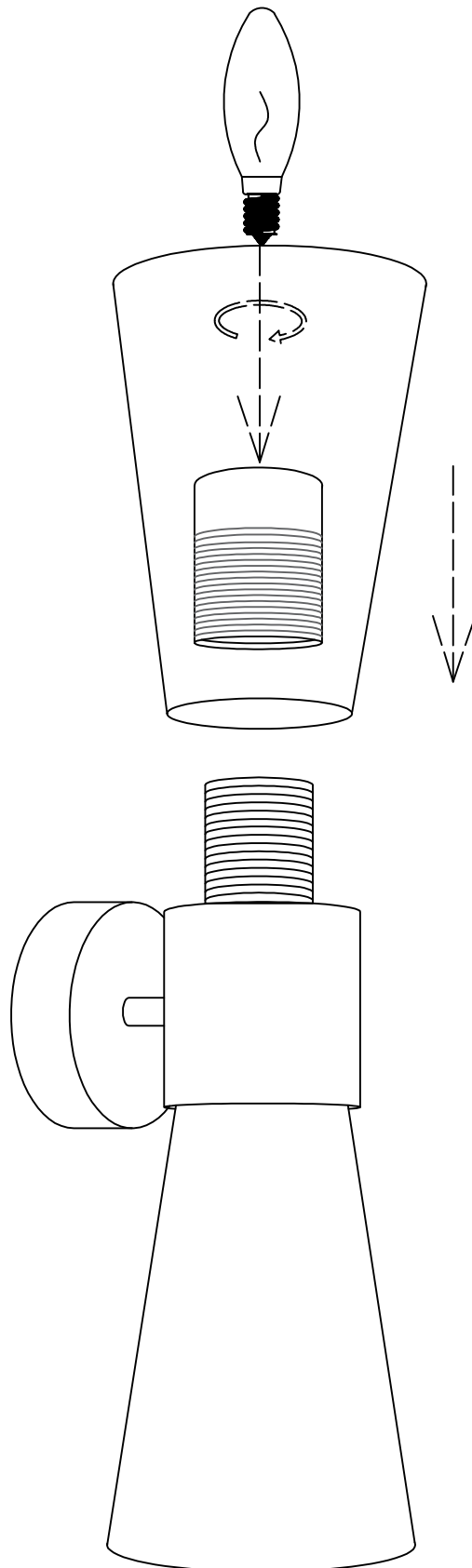
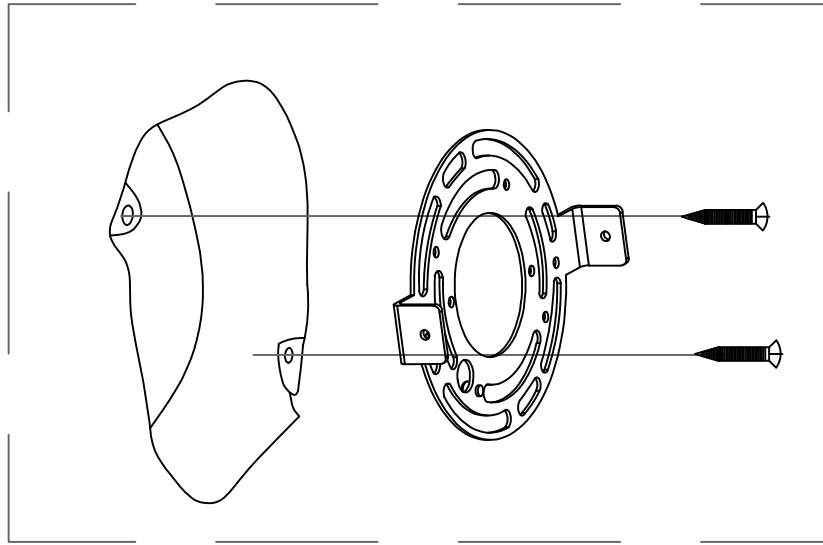


1

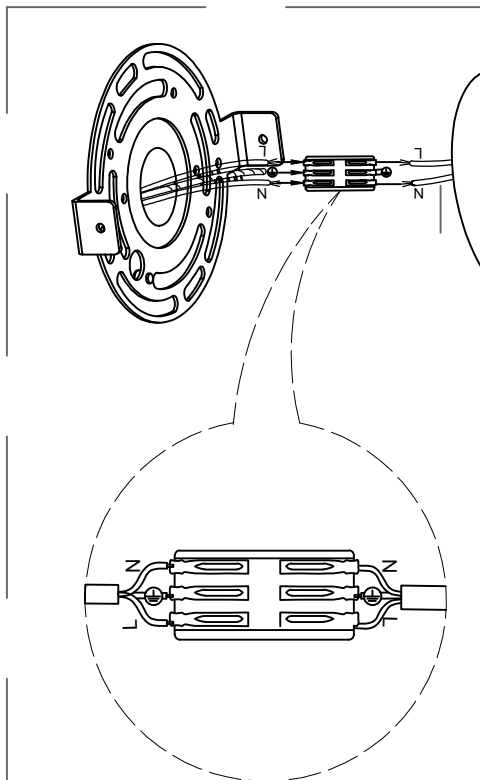


Fix the lampshade and install the light source

2



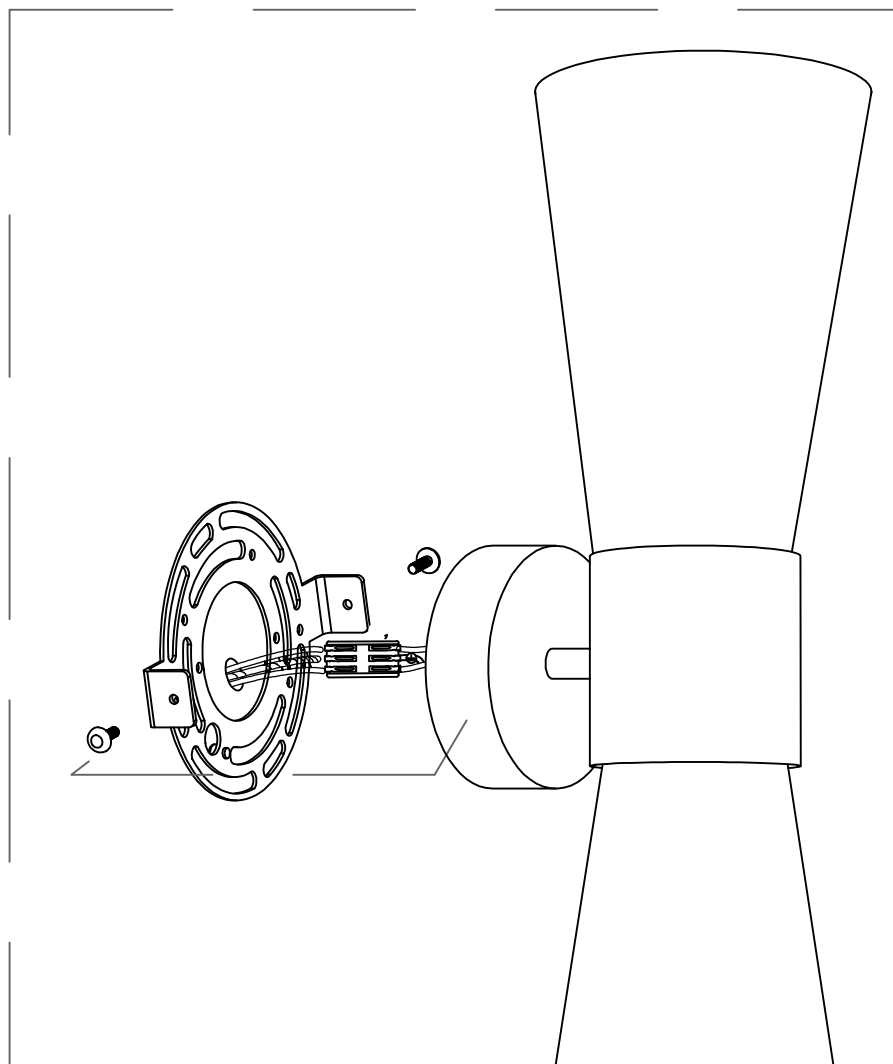
Fix the hanging plate to the wall with screws



ENGLISH Live	ENGLISH Neutral	ENGLISH Earth/Ground
FRANCAIS Phase	FRANCAIS Neutral	FRANCAIS Terre
ESPAÑOL Con corriente.	ESPAÑOL Neutro	ESPAÑOL Tierra

The wires in the home are connected to the wires in the lamps through the wire terminals

3



The side screws fix the lamp body to the hanging plate