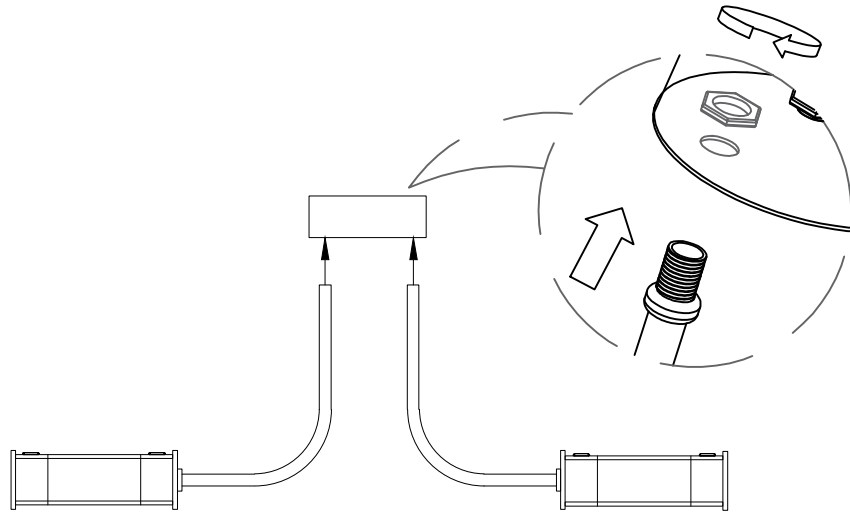
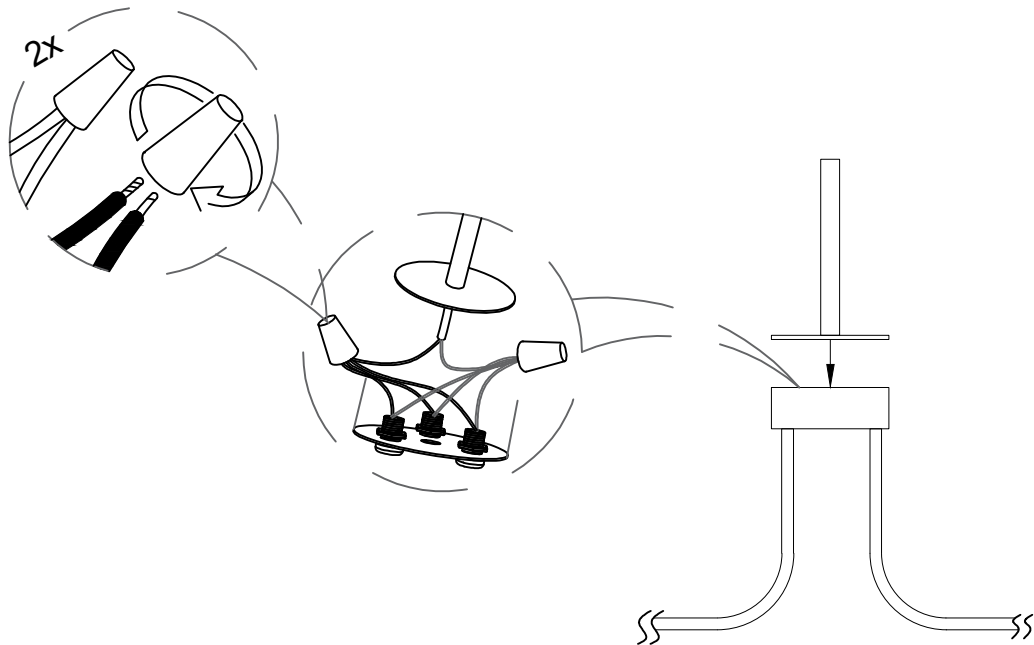


1

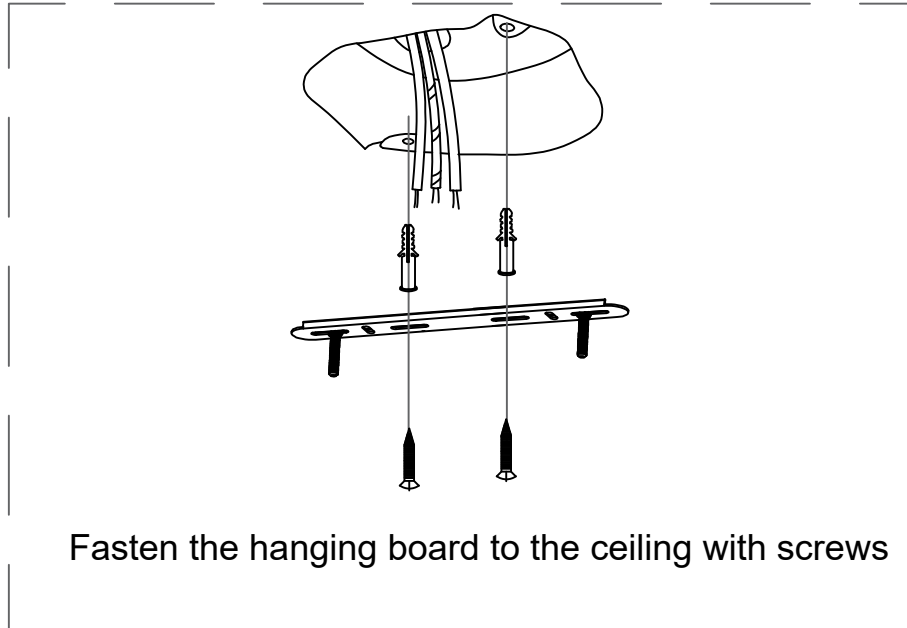


Use screws to lock the lamp arm onto the lamp body

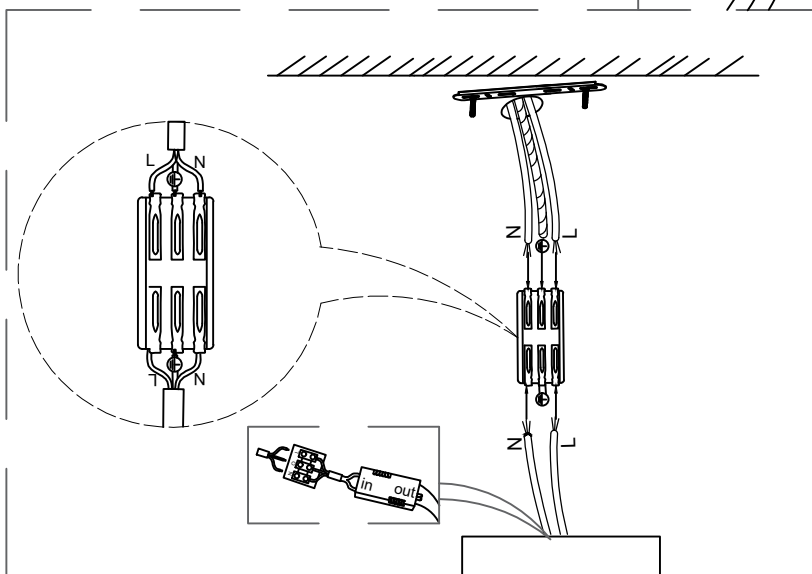


The main line is connected to the wires of the same color

2



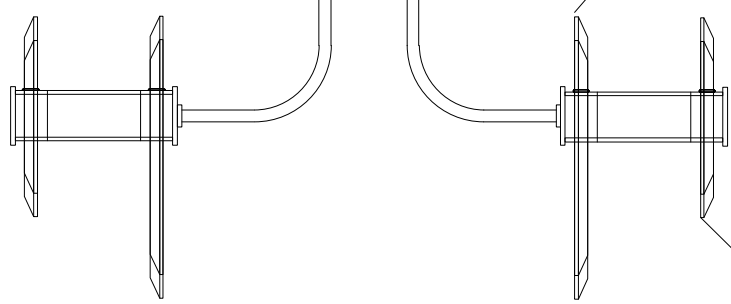
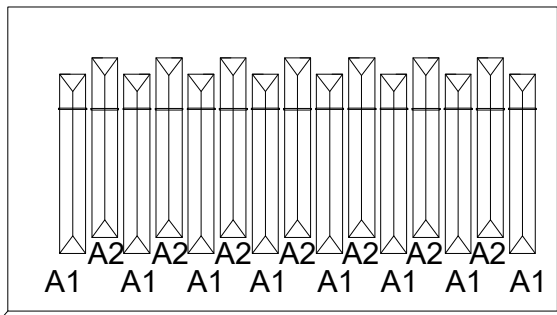
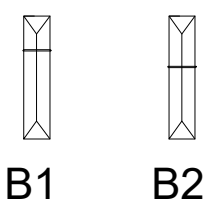
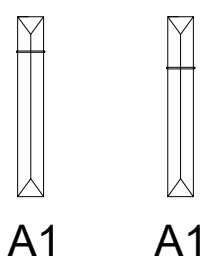
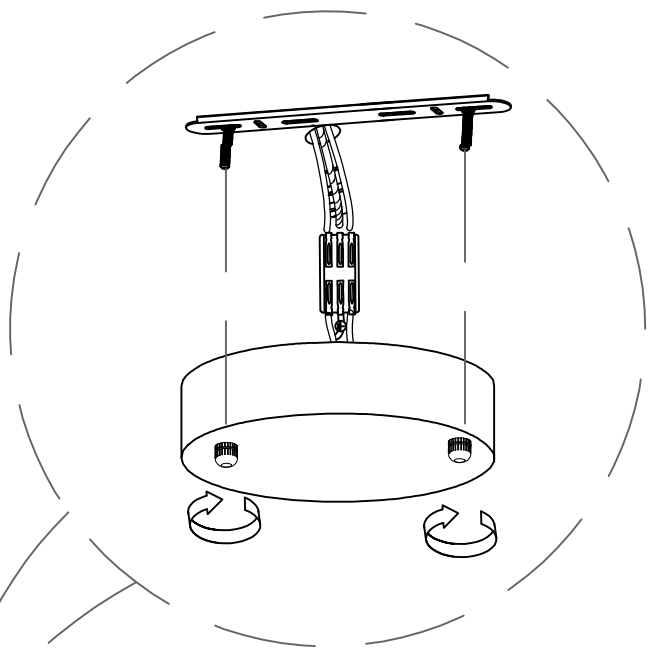
ENGLISH Live	ENGLISH Neutral	ENGLISH Earth/Ground
FRANCAIS Phase	FRANCAIS Neutal	FRANCAIS Terre
ESPANOL Con corriente.	ESPANOL Neutro	ESPANOL Tierra



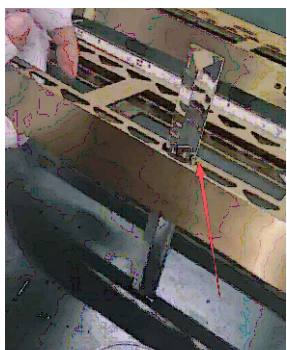
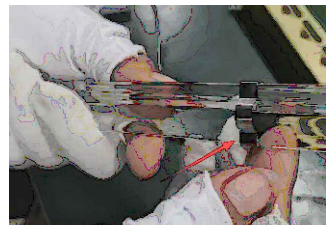
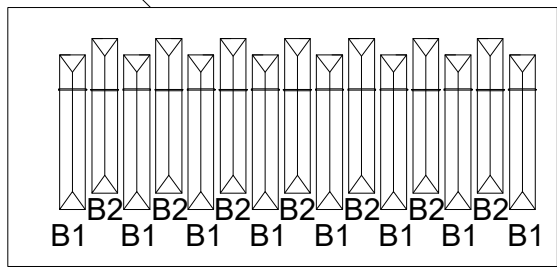
The wires in the home are connected to the wires in the lamps through the wire terminals

3

Use hand-made nuts to fix the lamp body on the hanging board



Insert the crystal (it is blocked by a snap on top)



There is a snap here