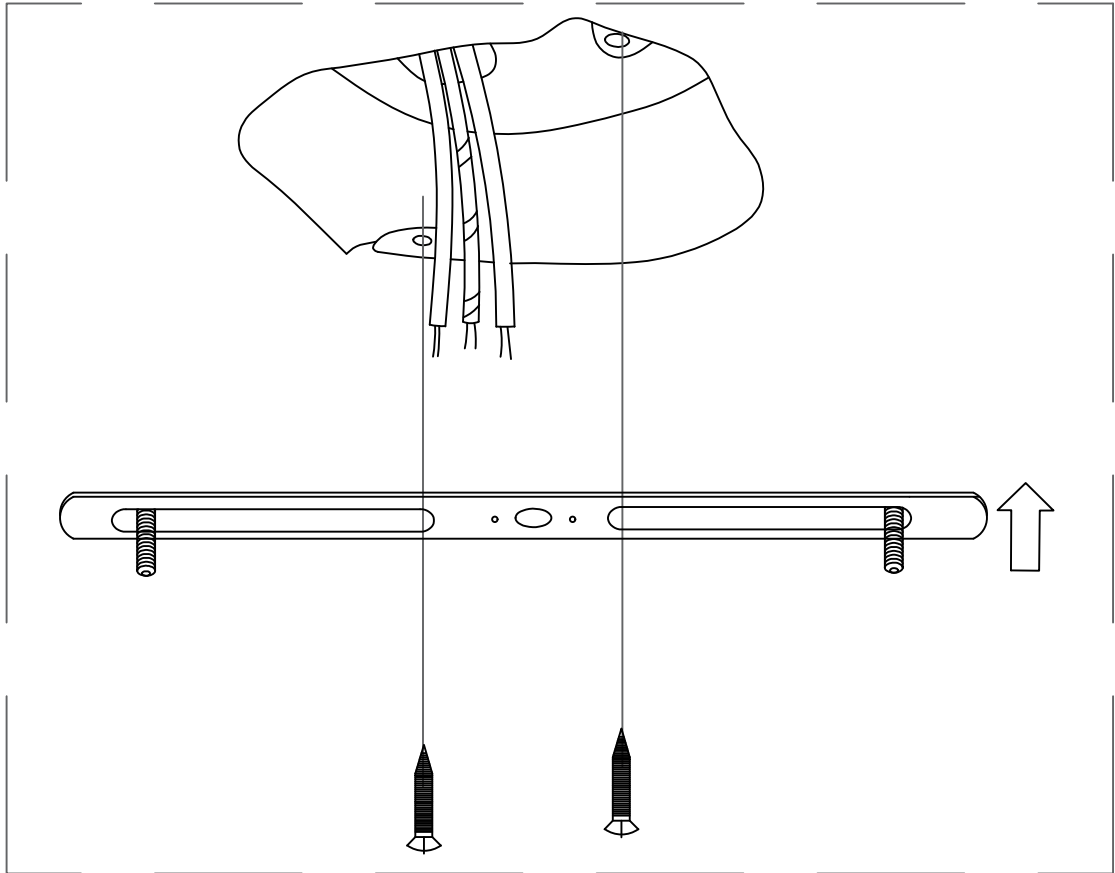
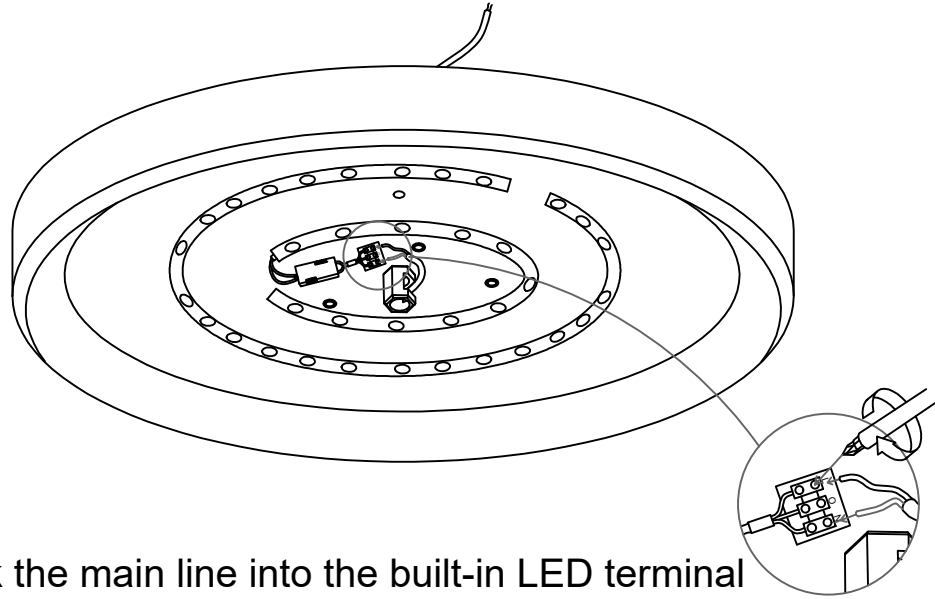


1

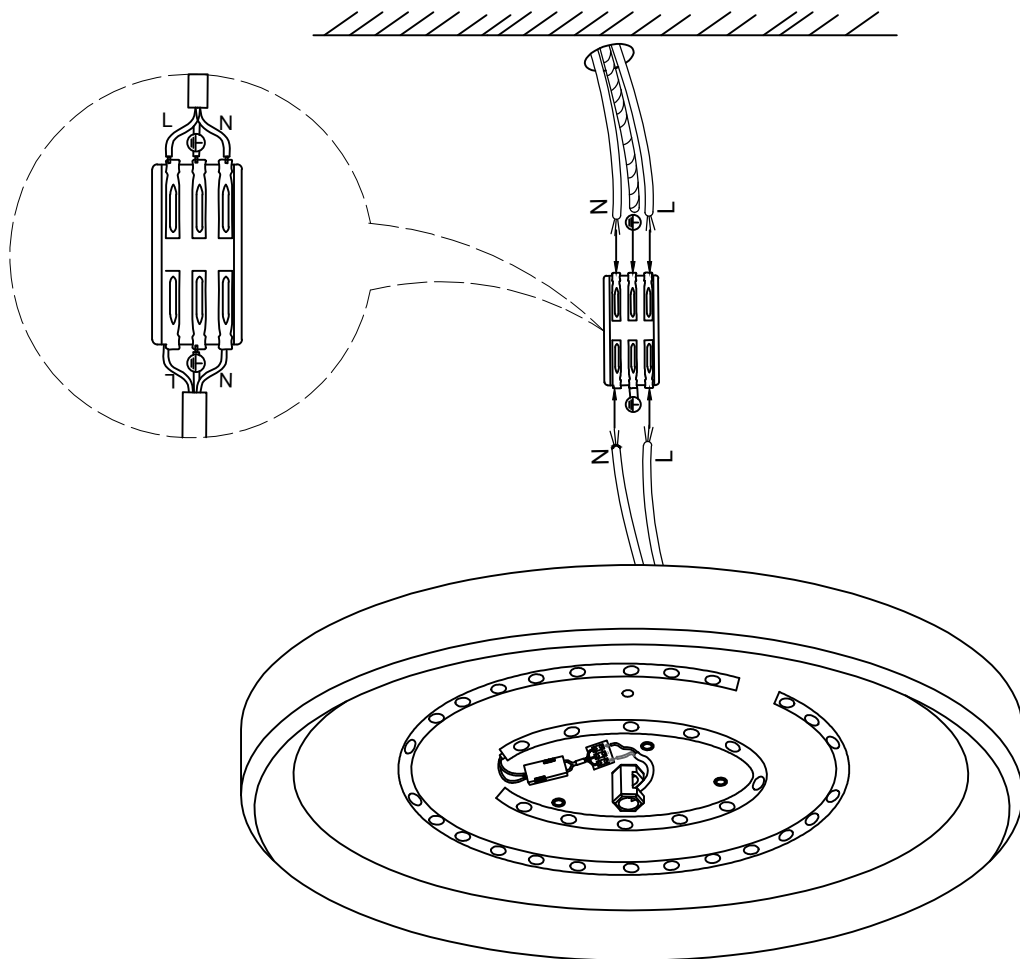


Fasten the hanging board to the ceiling with screws

# 2



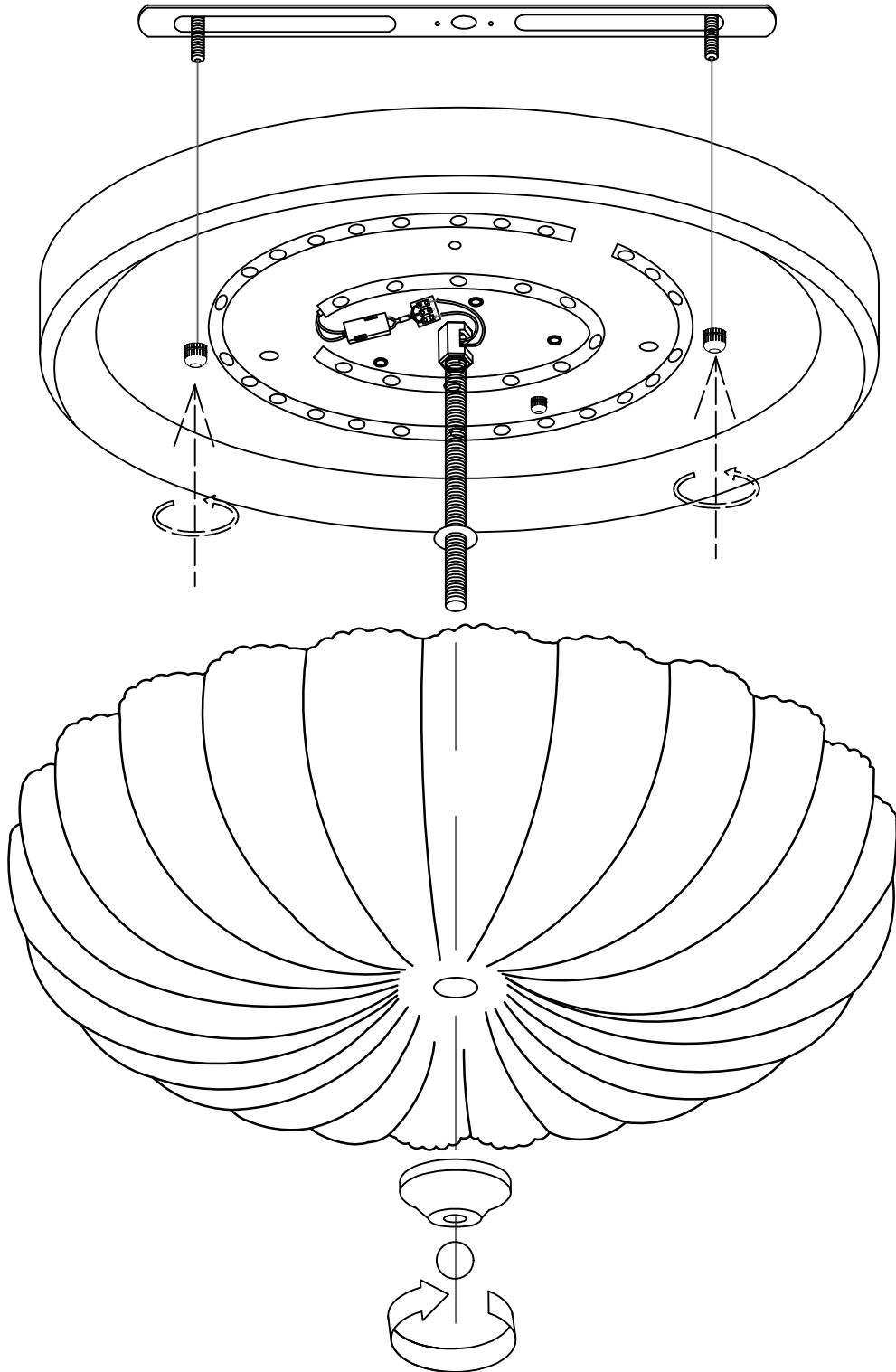
First lock the main line into the built-in LED terminal



The wires in the home are connected to the wires in the lamps through the wire terminals

# 3

Use hand-made nuts to fix the lamp body on the hanging board



I

Fixed lampshade