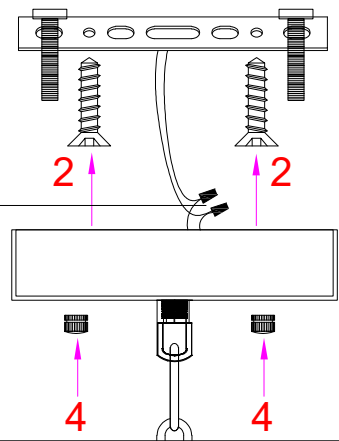
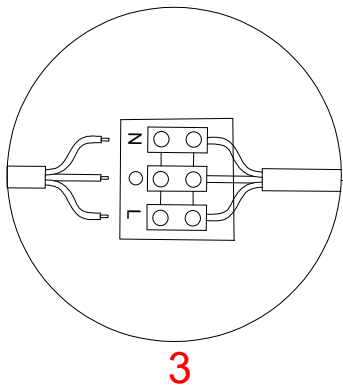


- 1: Assembly of lamp body
- 2: Fix the hanging board to the ceiling
- 3: Connect the lamp wires to the reserved wires
- 4: Tighten the nut to secure the lamp body
- 5: Tighten the lampshade with a ring
- 6: Installing bulb



Enlarged Detail

