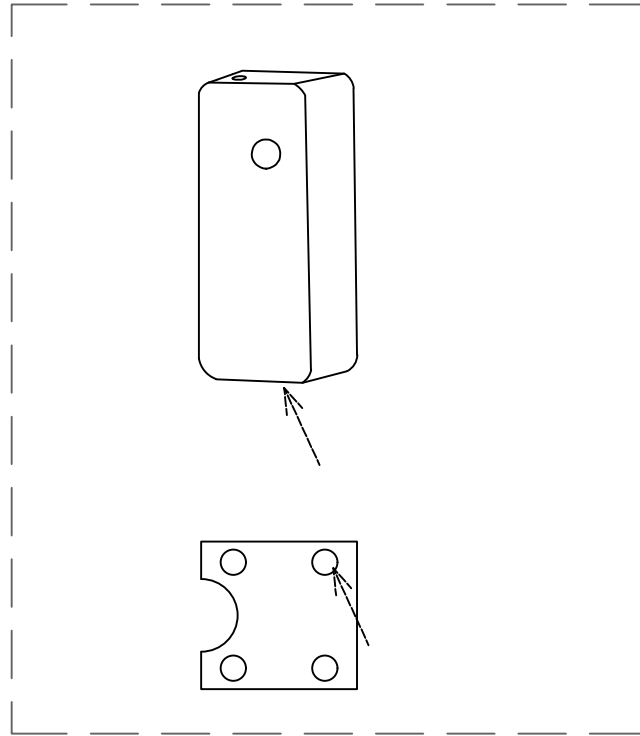
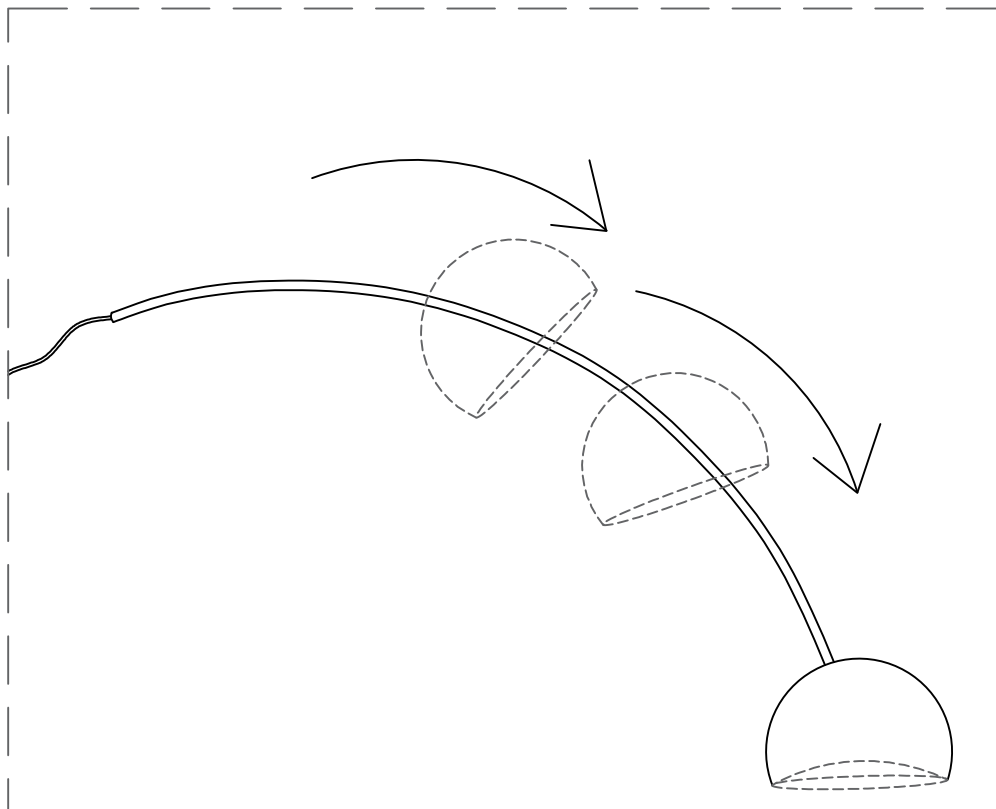


1

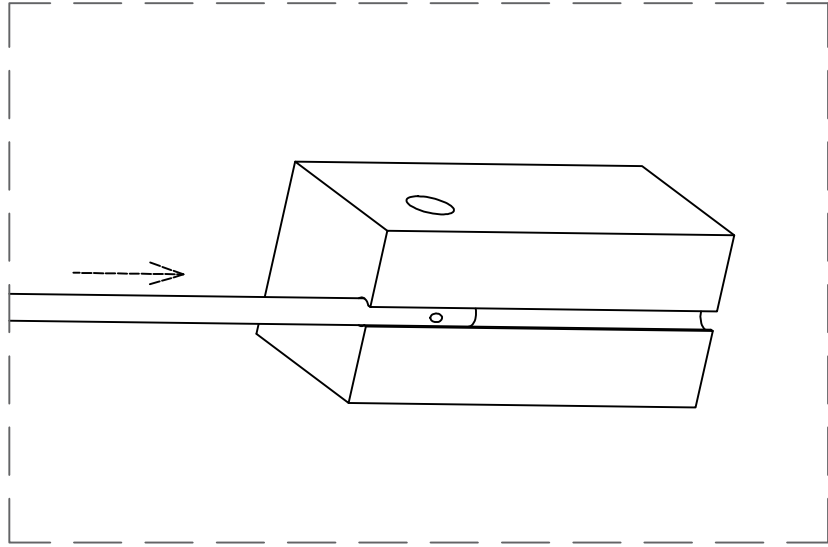


Spacers are attached to the bottom of the base

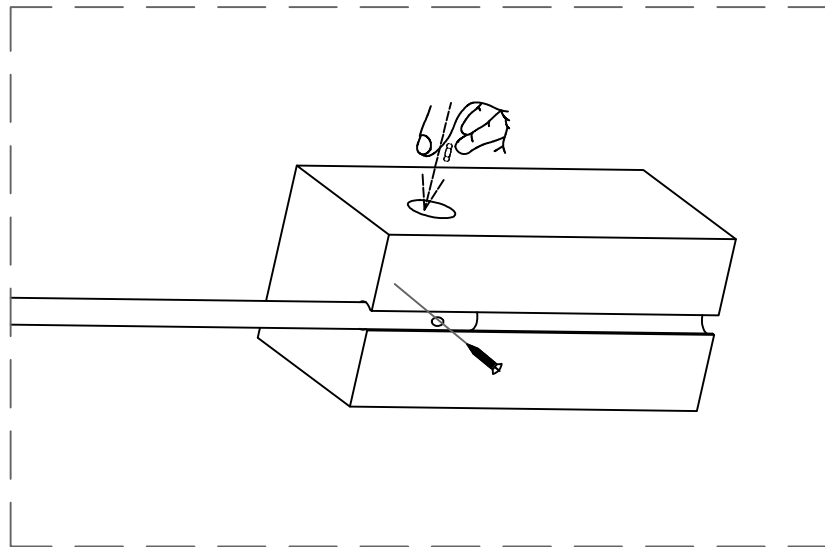


First, put the lampshade into the lamp pole

# 2

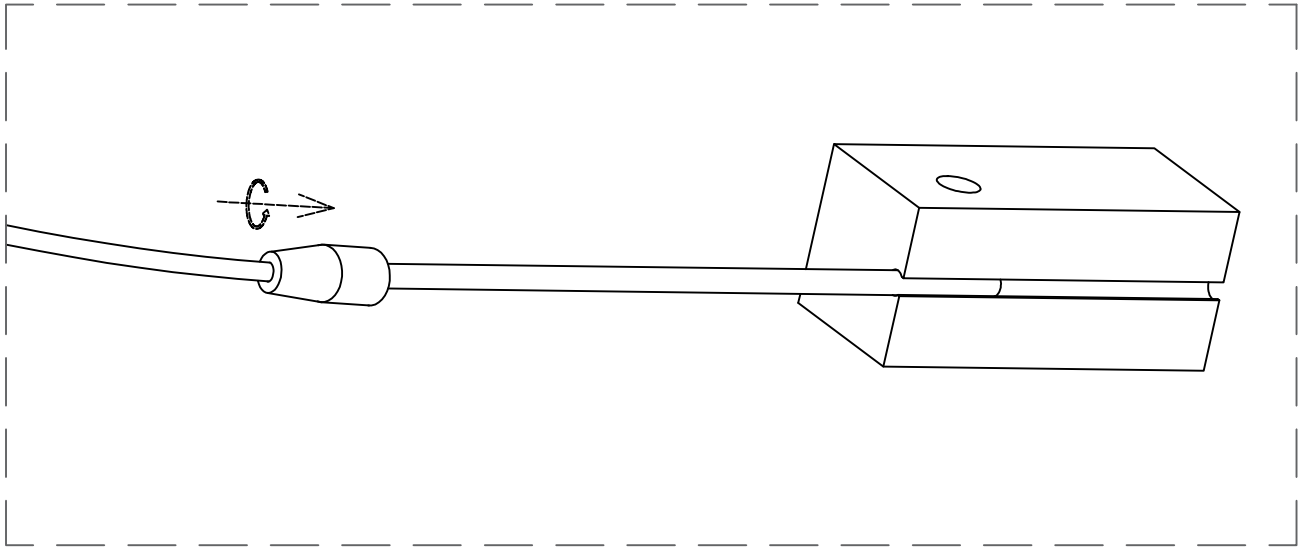


Turn the marble base over and place the light pole inside



Lock the lamp pole to the marble base with screw nuts

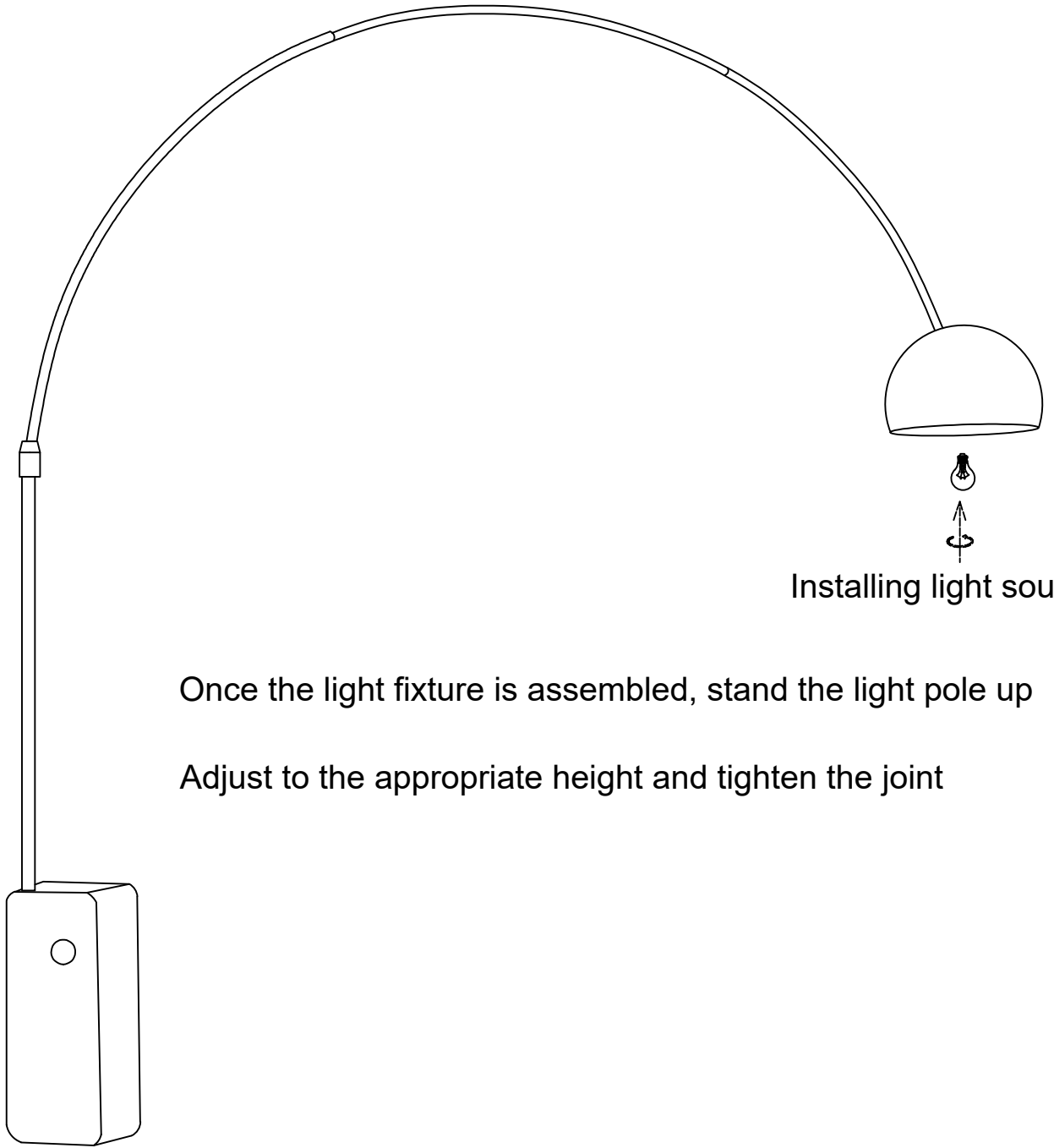
# 3



Attach the light pole (insert the pole, tighten the nut)

The height of the lamp pole can also be adjusted  
by twisting the joints between the poles

4



Installing light source

Once the light fixture is assembled, stand the light pole up

Adjust to the appropriate height and tighten the joint