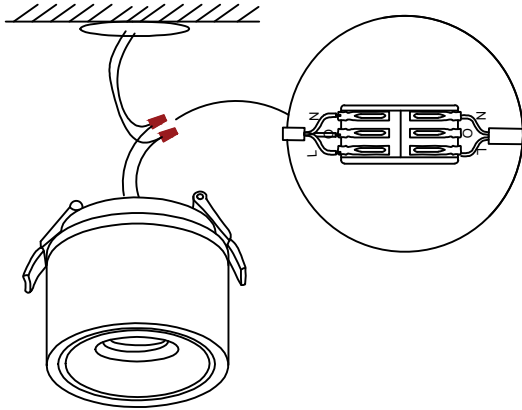
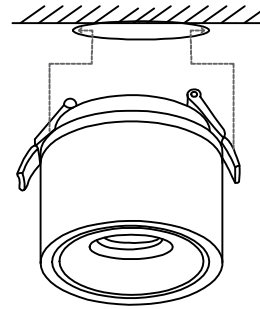


1



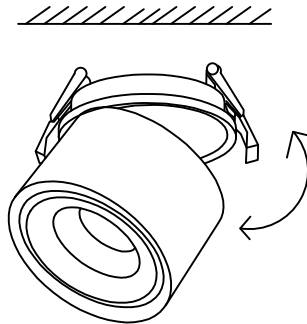
The wires in the home are connected to the wires of the lamps

2



The clip on the lamp is stuck in the hole and fixed

3



It is possible to condition the angle