

1:Installing light arm

2:The power cord of the lamp arm is connected to the main line, L/N

3:Assembly of lamp body

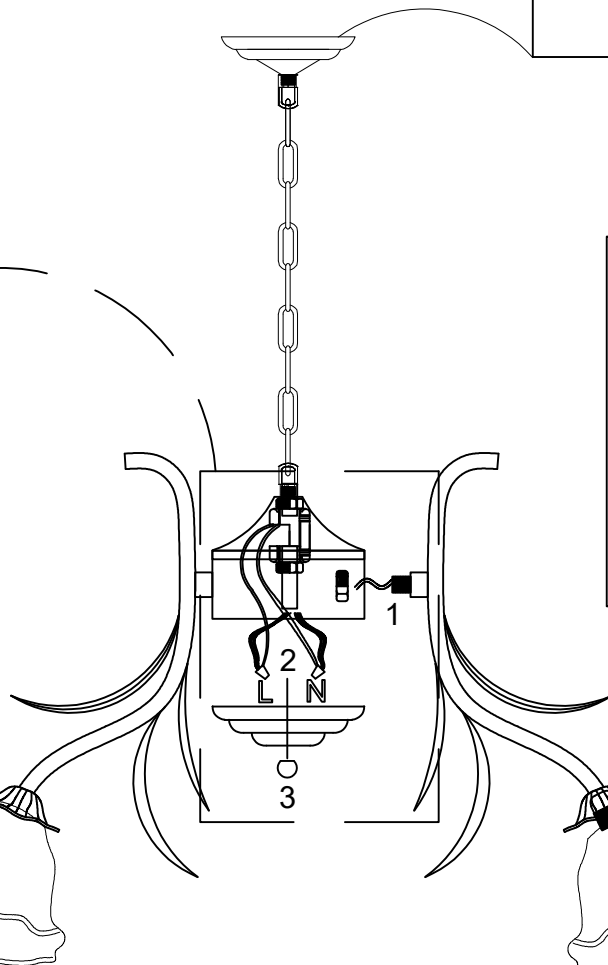
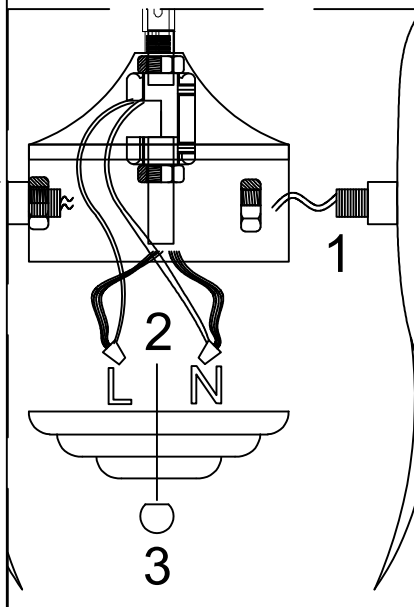
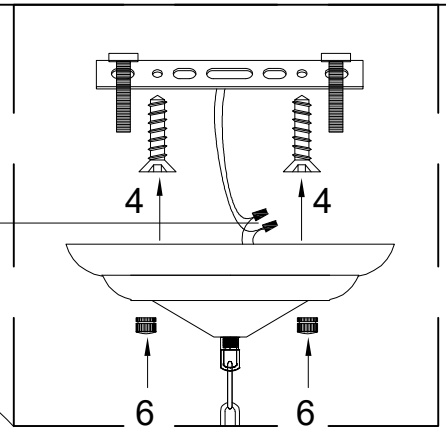
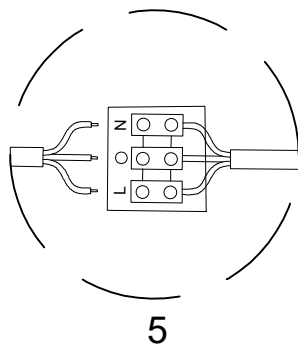
4:Fix the hanging board to the ceiling

5:Connect the lamp wires to the reserved wires

6:Tighten the nut to secure the lamp body

7:Tighten the lampshade with a ring

8:Installing bulb



Scan the code to watch the installation video

