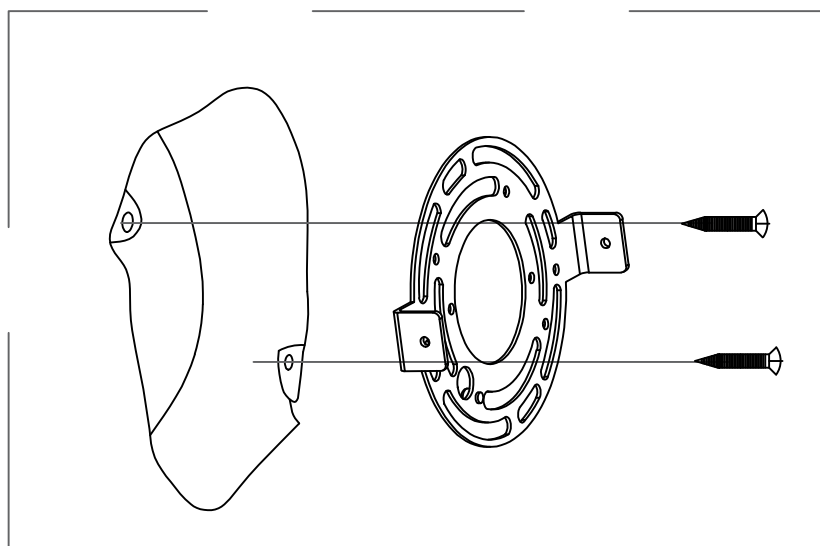
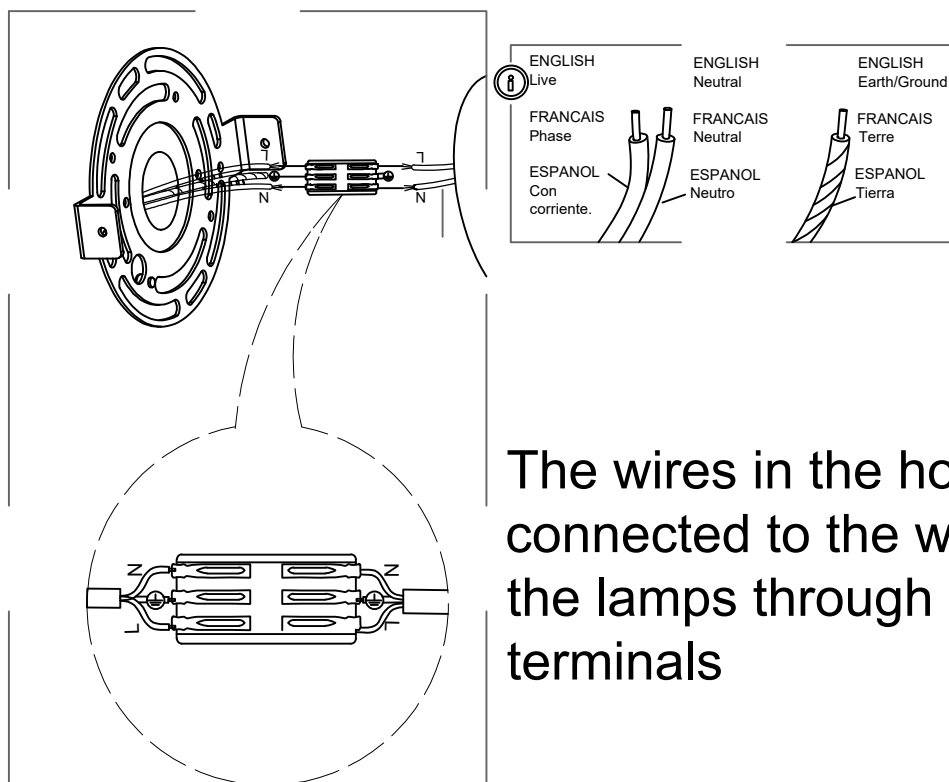


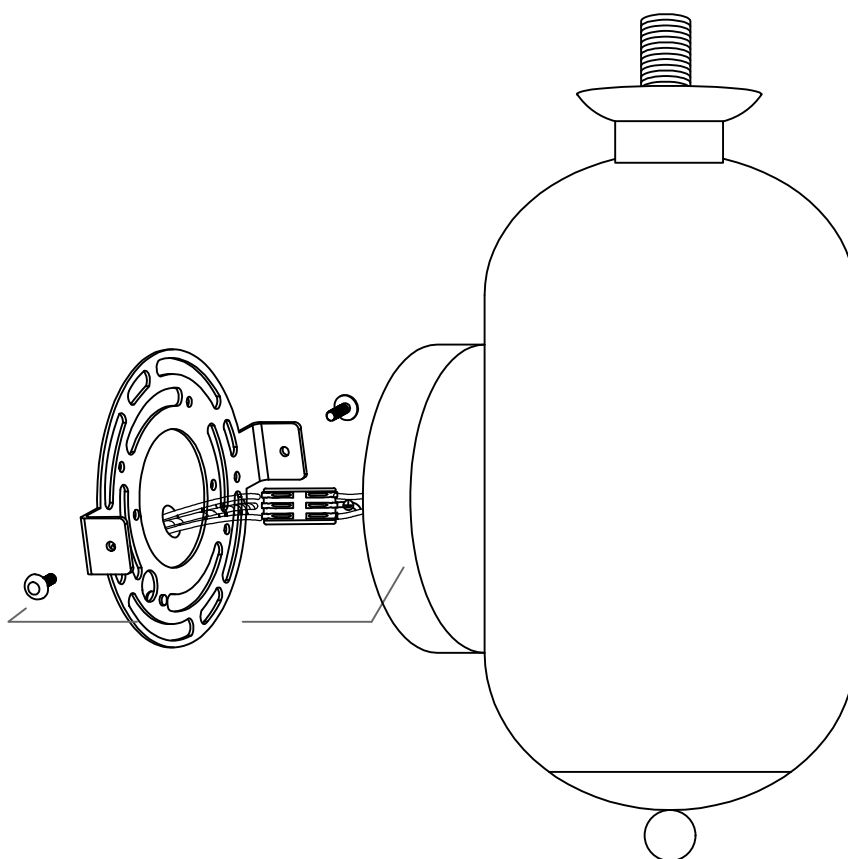
1



Fix the hanging plate to the wall with screws

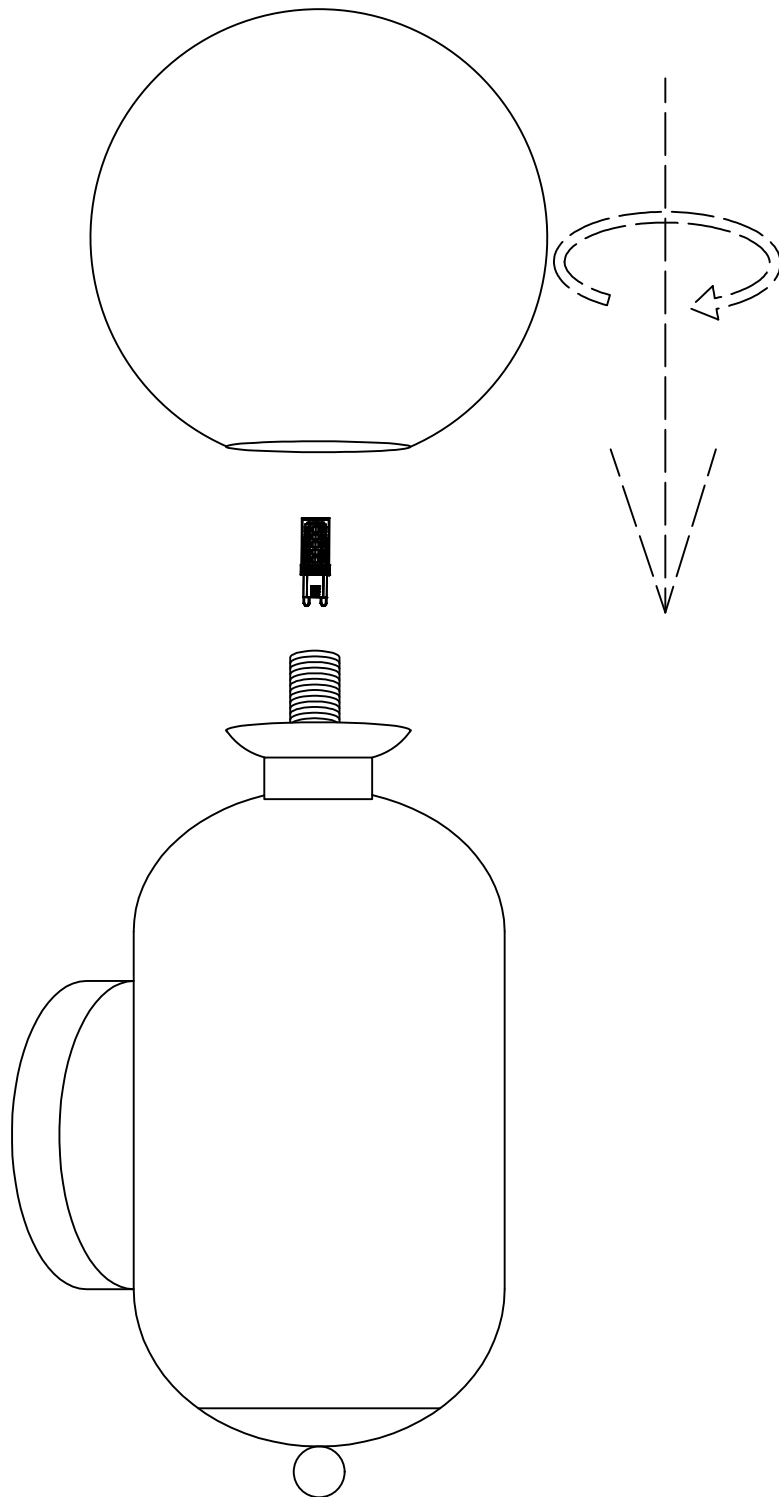


2



The side screws fix the lamp body to the hanging plate

3



Installing light source and lampshade