

INSTALLATION INSTRUCTIONS

CAUTION

Turn off the power to the main circuit panel before starting.

CAUTION

The light source for this product is a non-replaceable LED. Do not disassemble the product, as the LED may damage your eyes.

Do not immerse in water.



WARNINGS

Failure to follow assembly instructions may result in a fire or electric shock hazard.

CAUTION

Pulling the light fixture out of the surface may cause personal injury and damage to the fixture and/or the mounting surface. To reduce the likelihood of such injury or damage, install it only on surfaces with intact mechanical structures.



WARNINGS

Different materials require different fittings. Always select screws and plugs specifically matched to the material.



WARNINGS

Failure to follow assembly instructions may result in a fire or electric shock hazard.



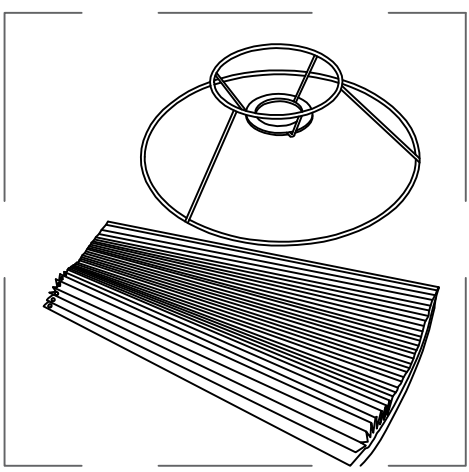
WARNINGS

Choking hazard. Keep the power cord at least 3 feet away from cribs, bassinets, and toddler beds.

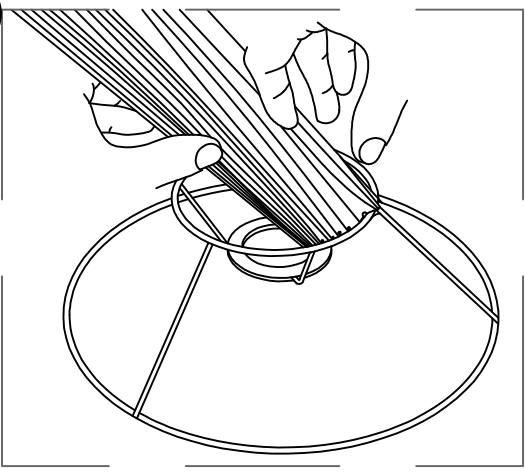
THIS PRODUCT IS NOT A TOY AND HAS NO PLAY VALUE.

1

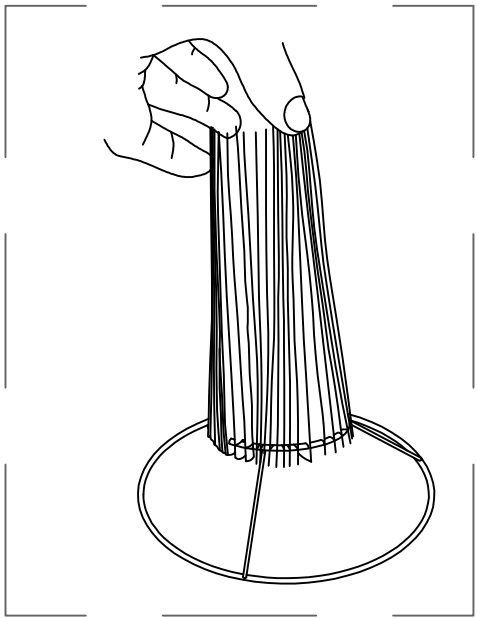
①



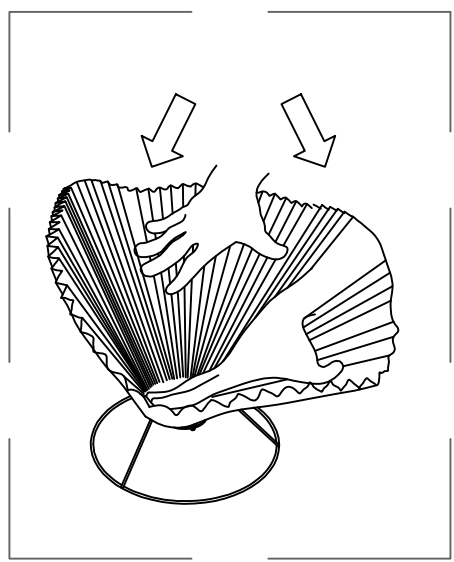
②



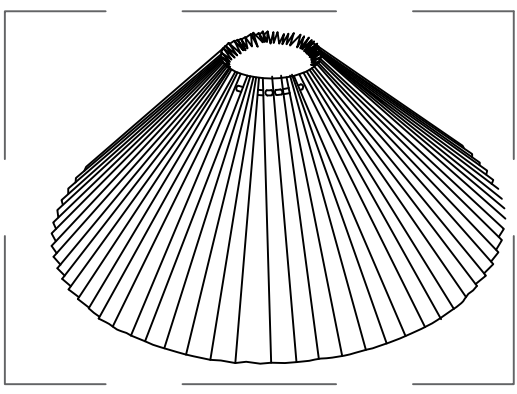
③



④

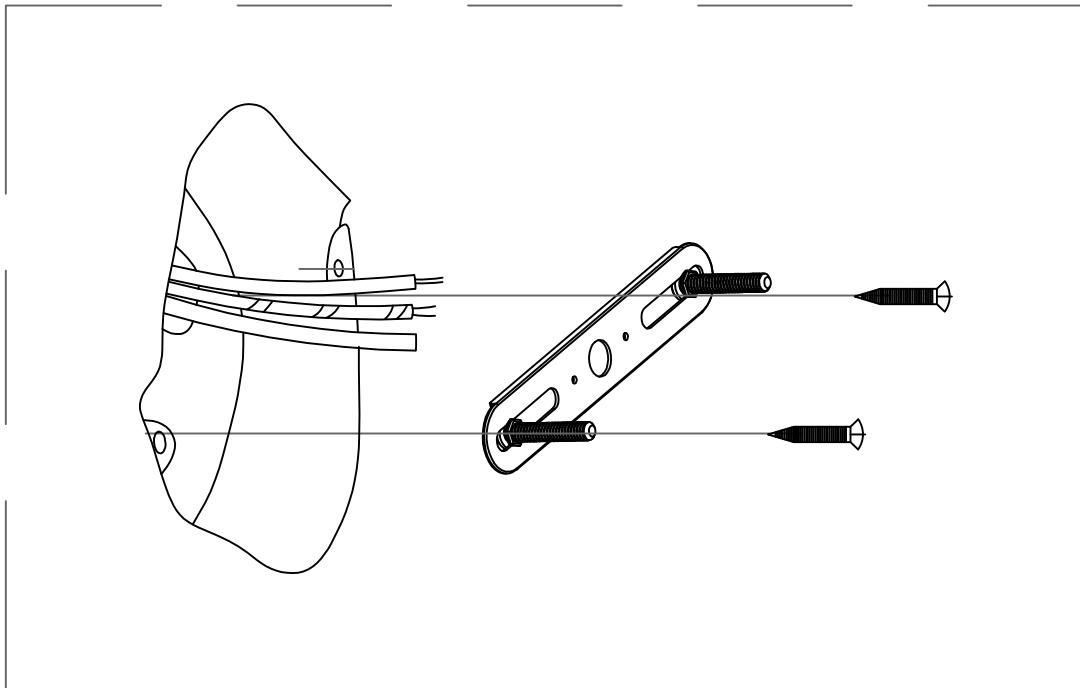
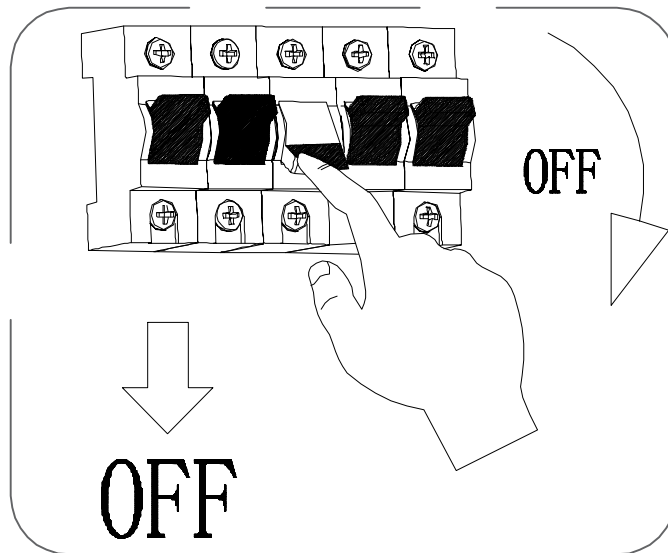


⑤



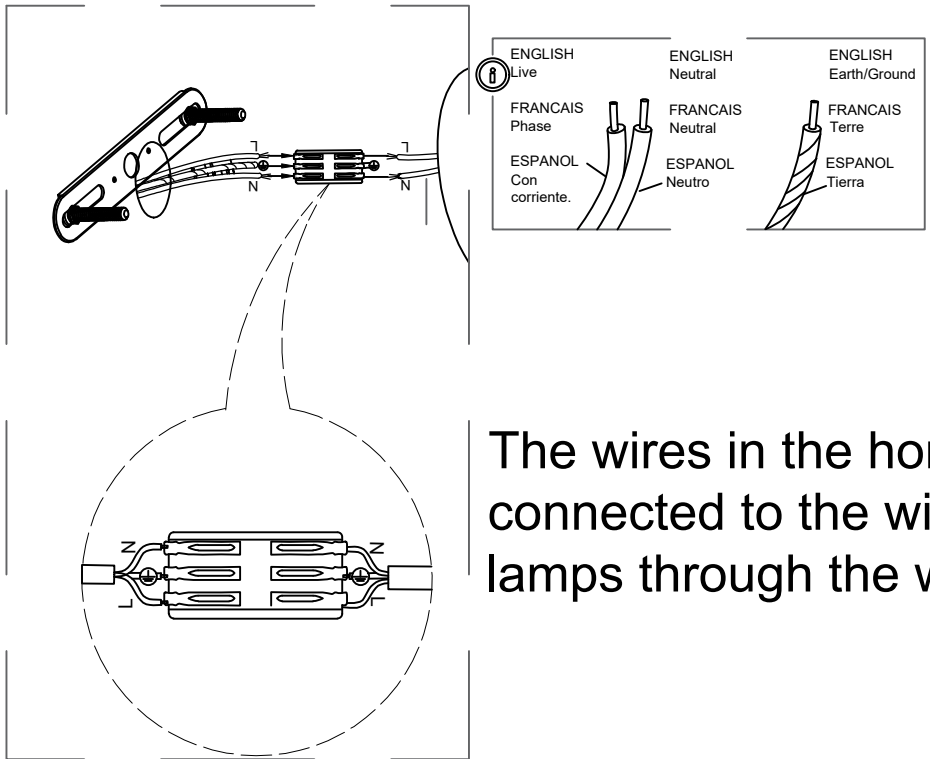
Install the pleated lampshade according to the steps above

2

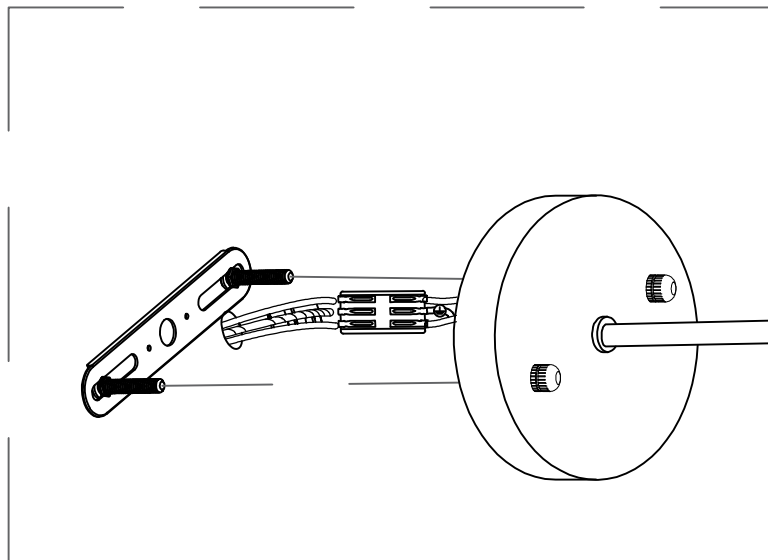


Attach the hanging plate to the wall with screws

3

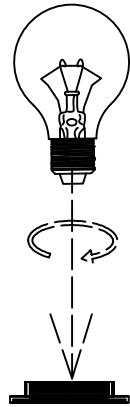


The wires in the home are connected to the wires in the lamps through the wire terminals



Attach the lamp body to the hanging plate with a hand nut

4



The lampshade is twisted onto the lamp head with a tooth ring, and then the bulb is installed

