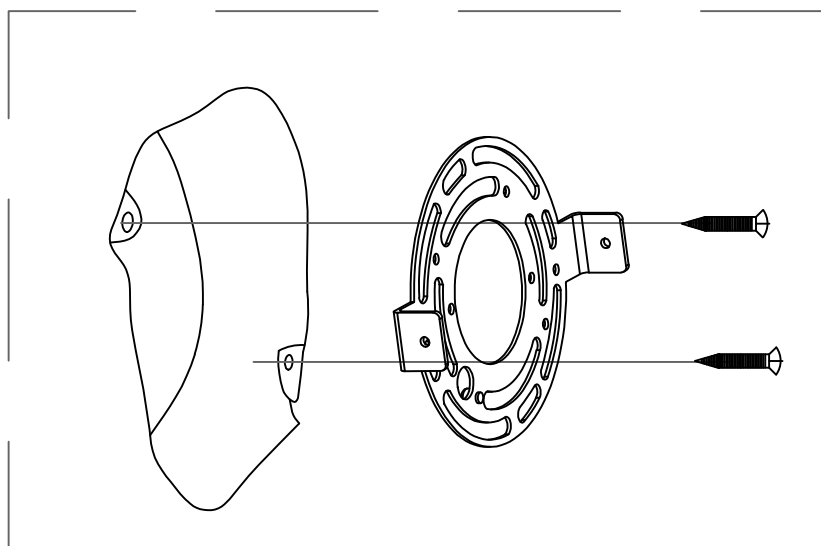
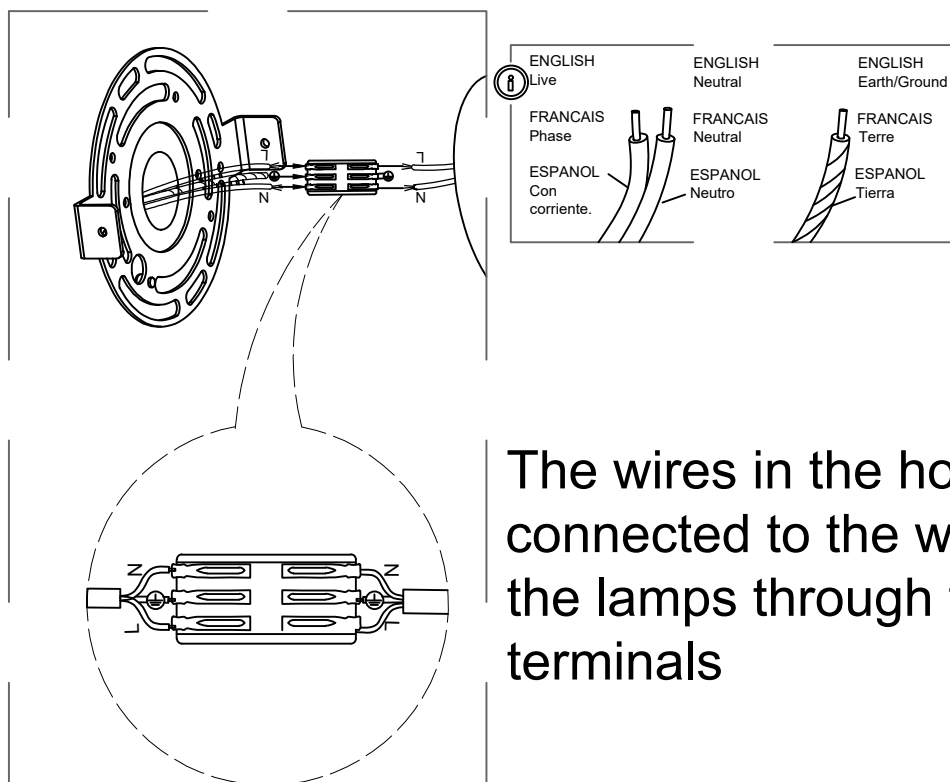


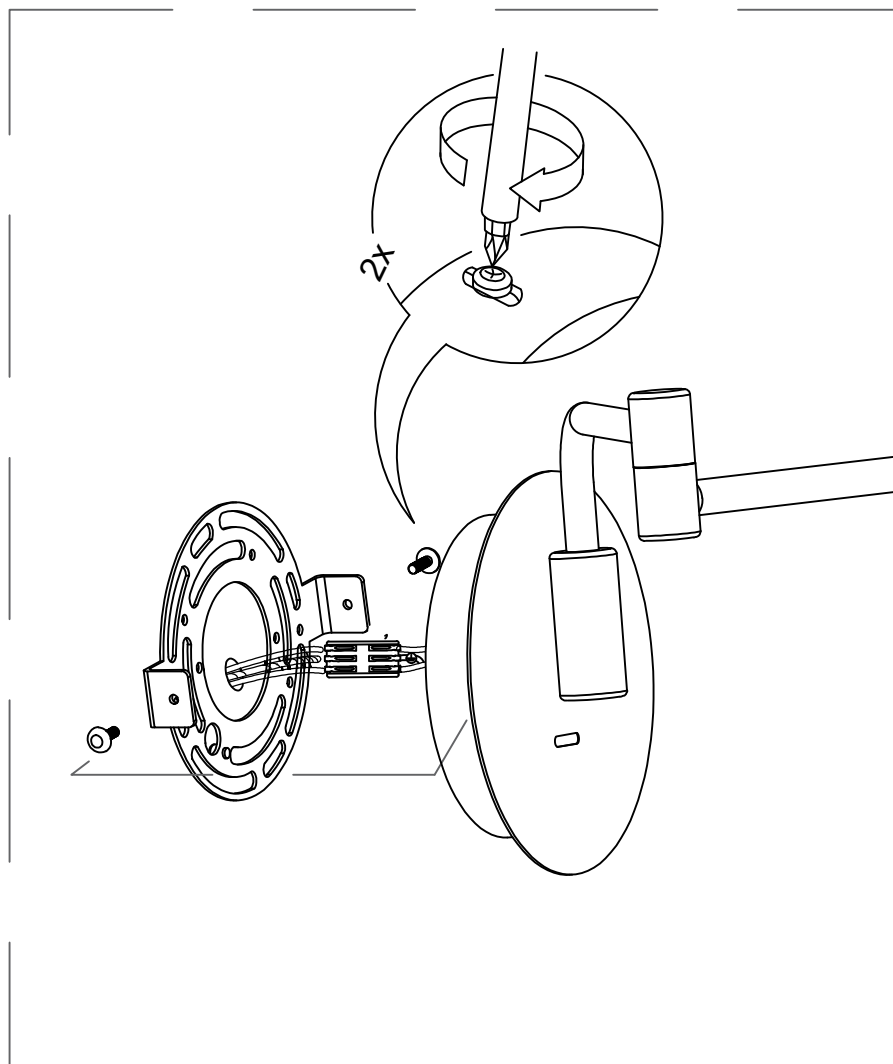
1



Fix the hanging plate to the wall with screws



2



The side screws fix the lamp body to the hanging plate