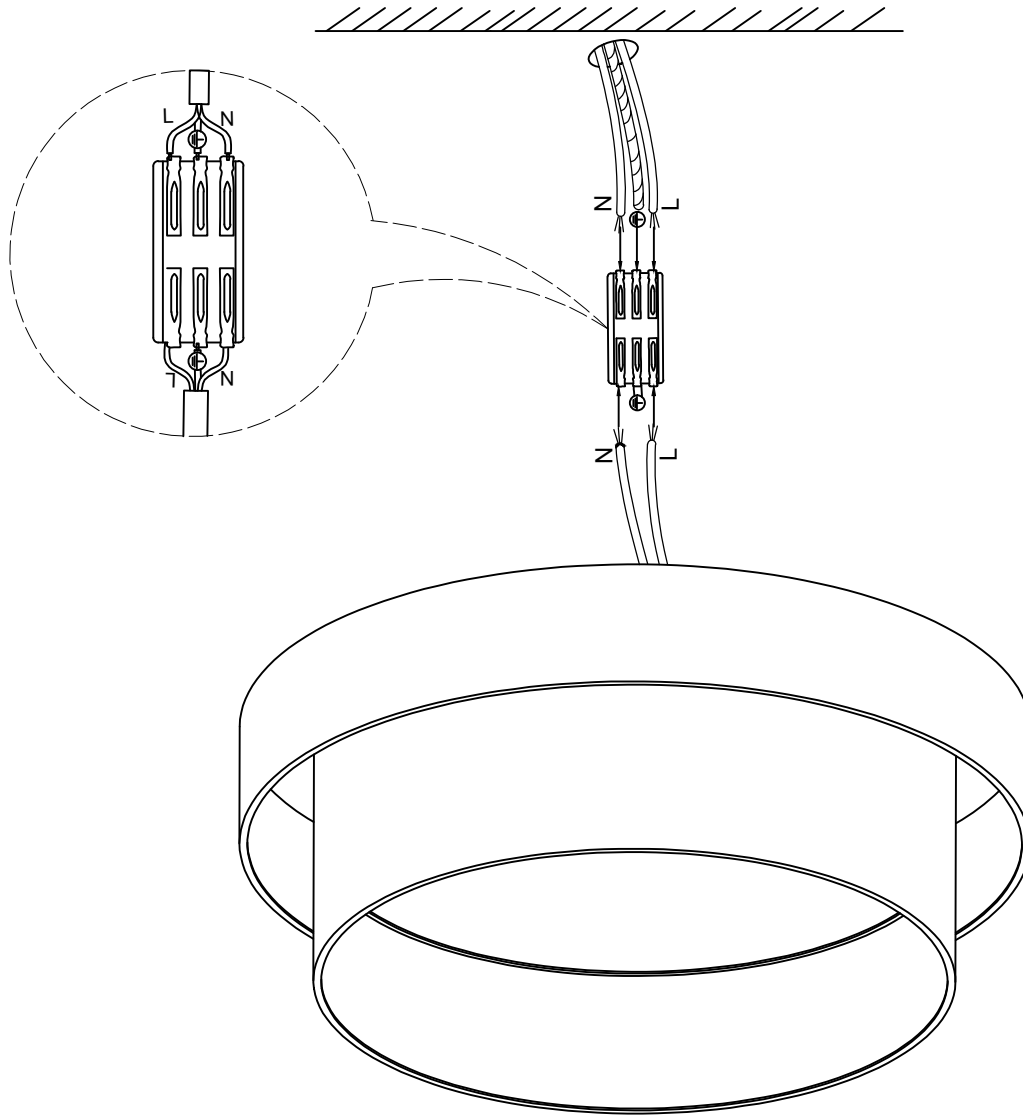


# 1



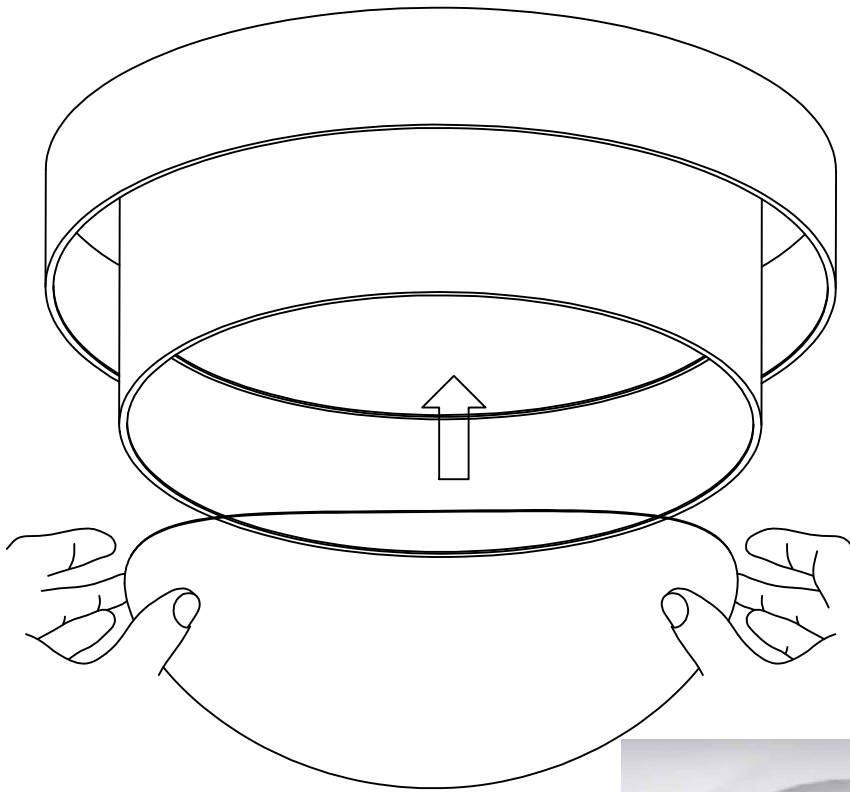
The wires in the home are connected to the wires in the lamps through the wire terminals

# 2



After the wires are connected, use screws to lock the lamp body to the ceiling.

3



The acrylic bends a small arc and stuffs it into the lamp body

