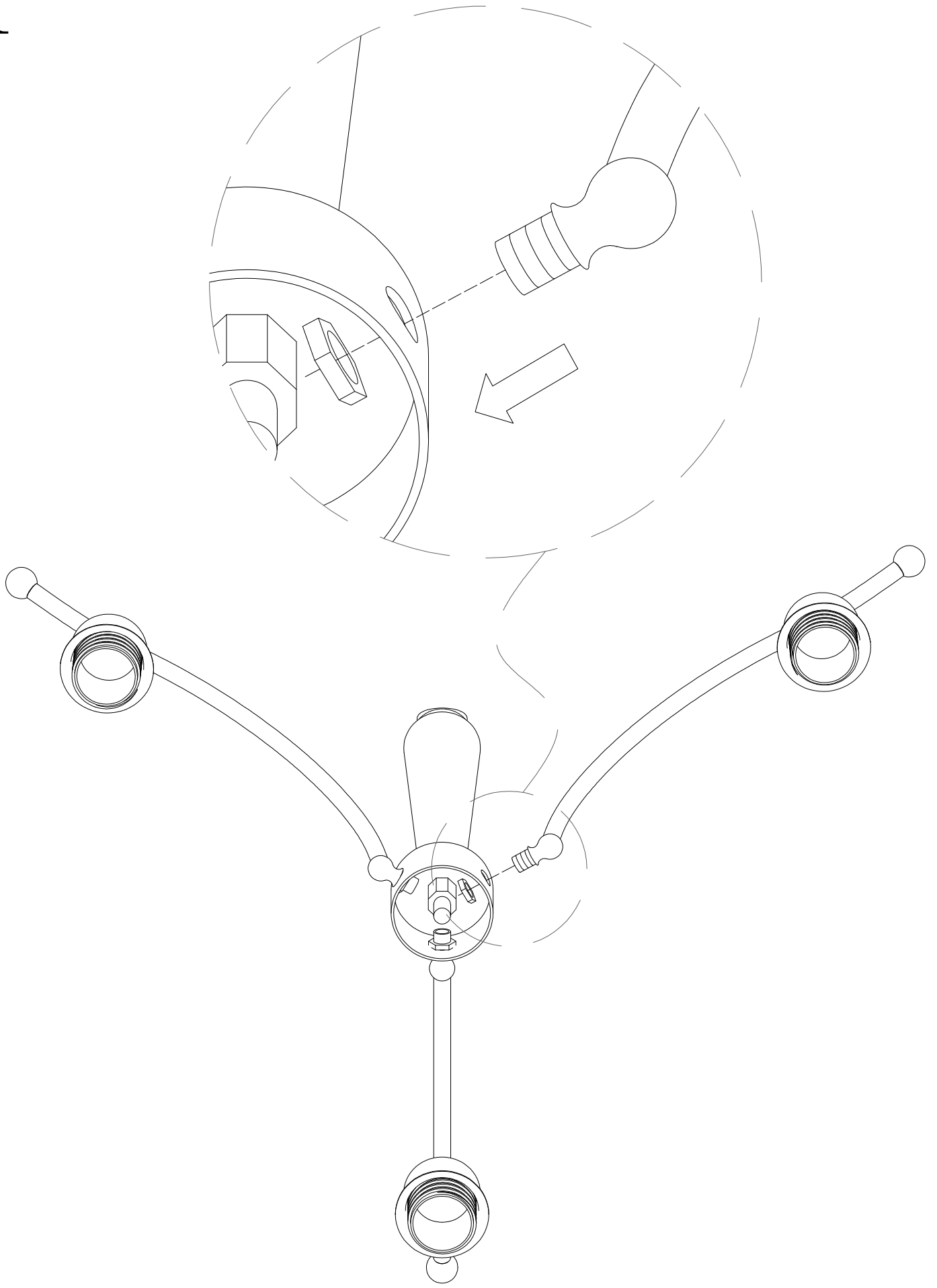
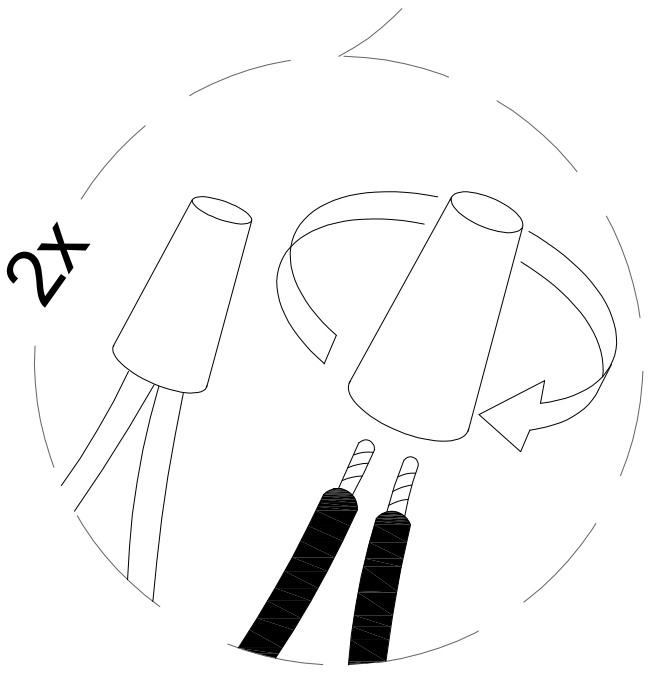
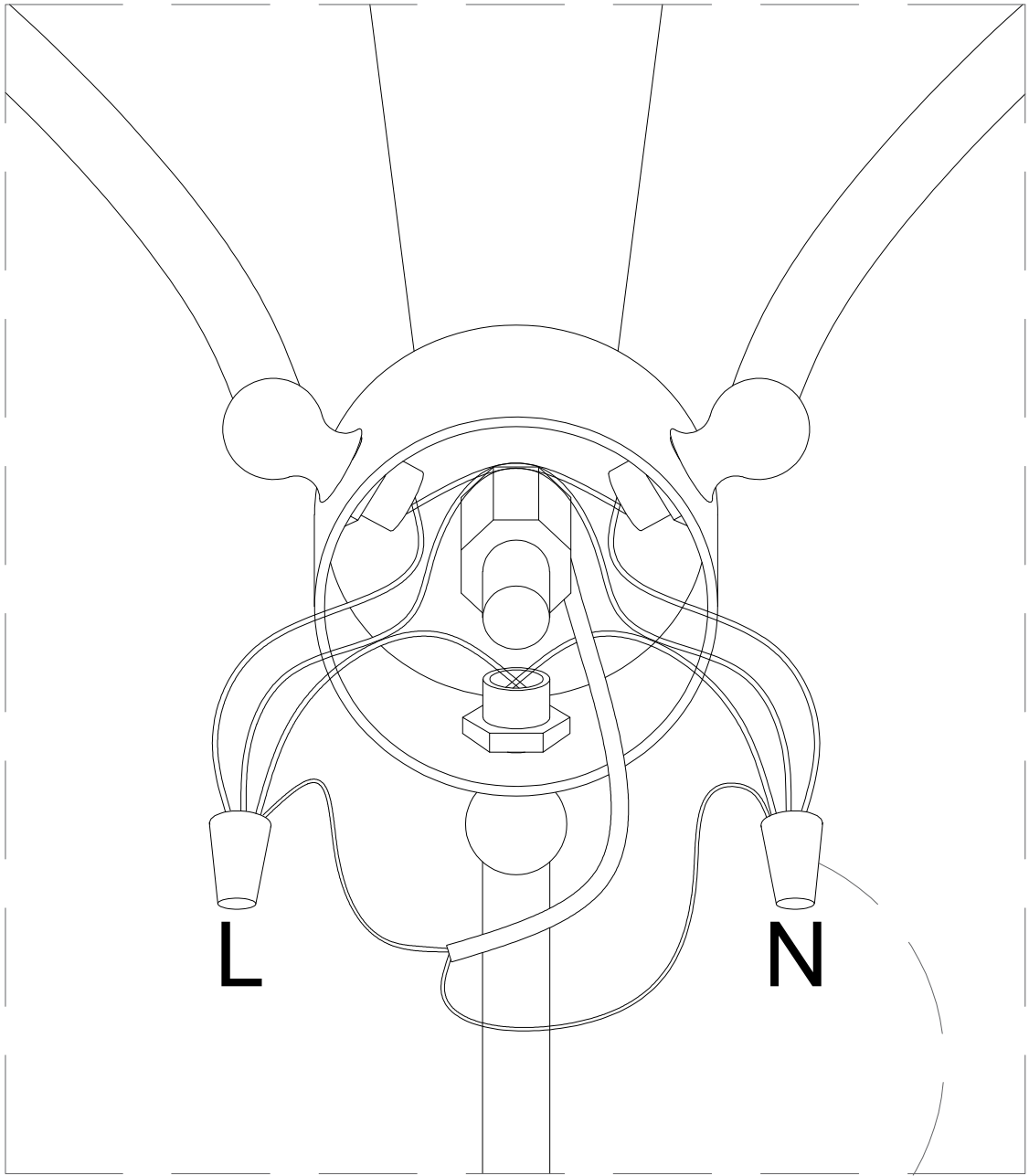


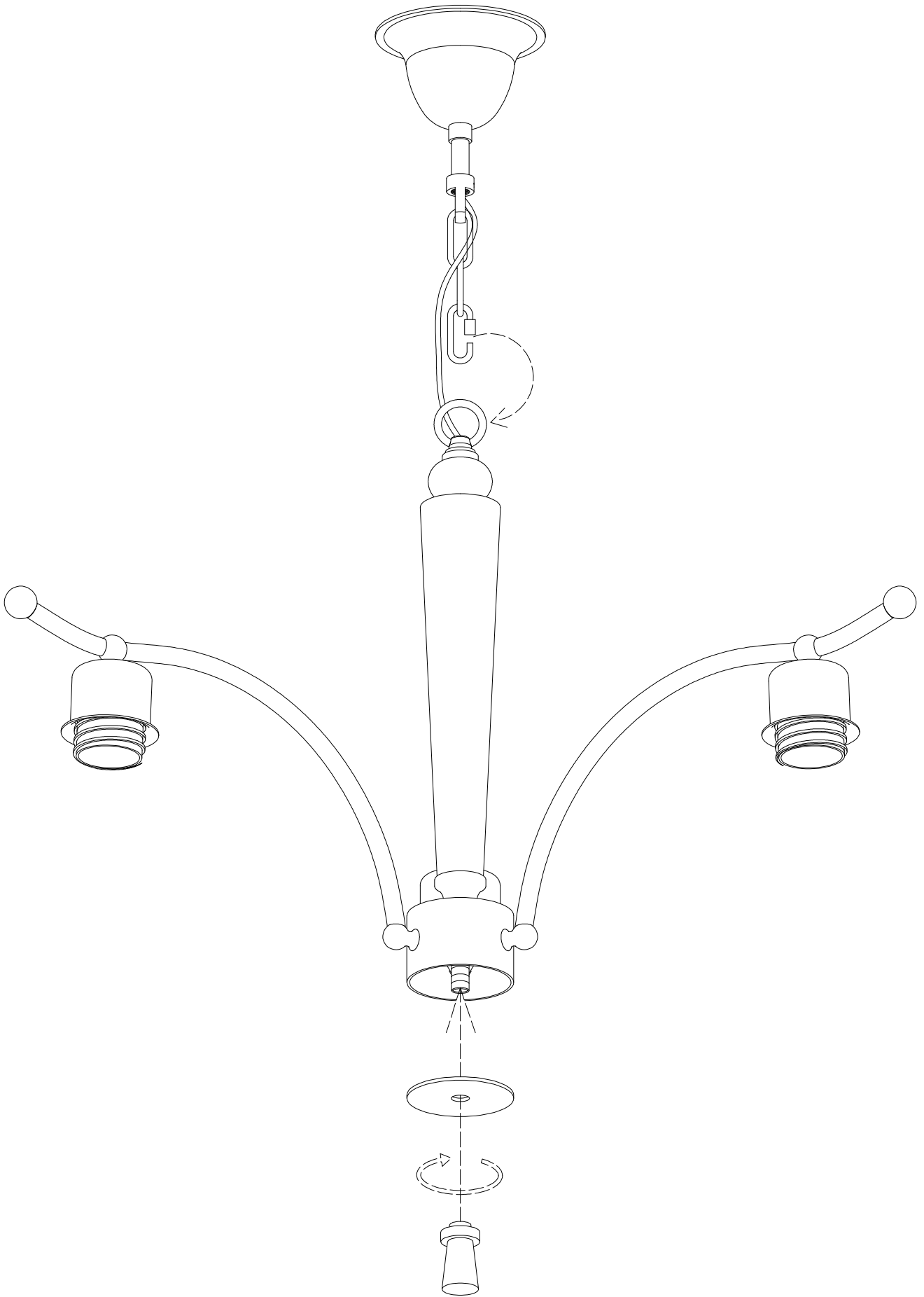
1



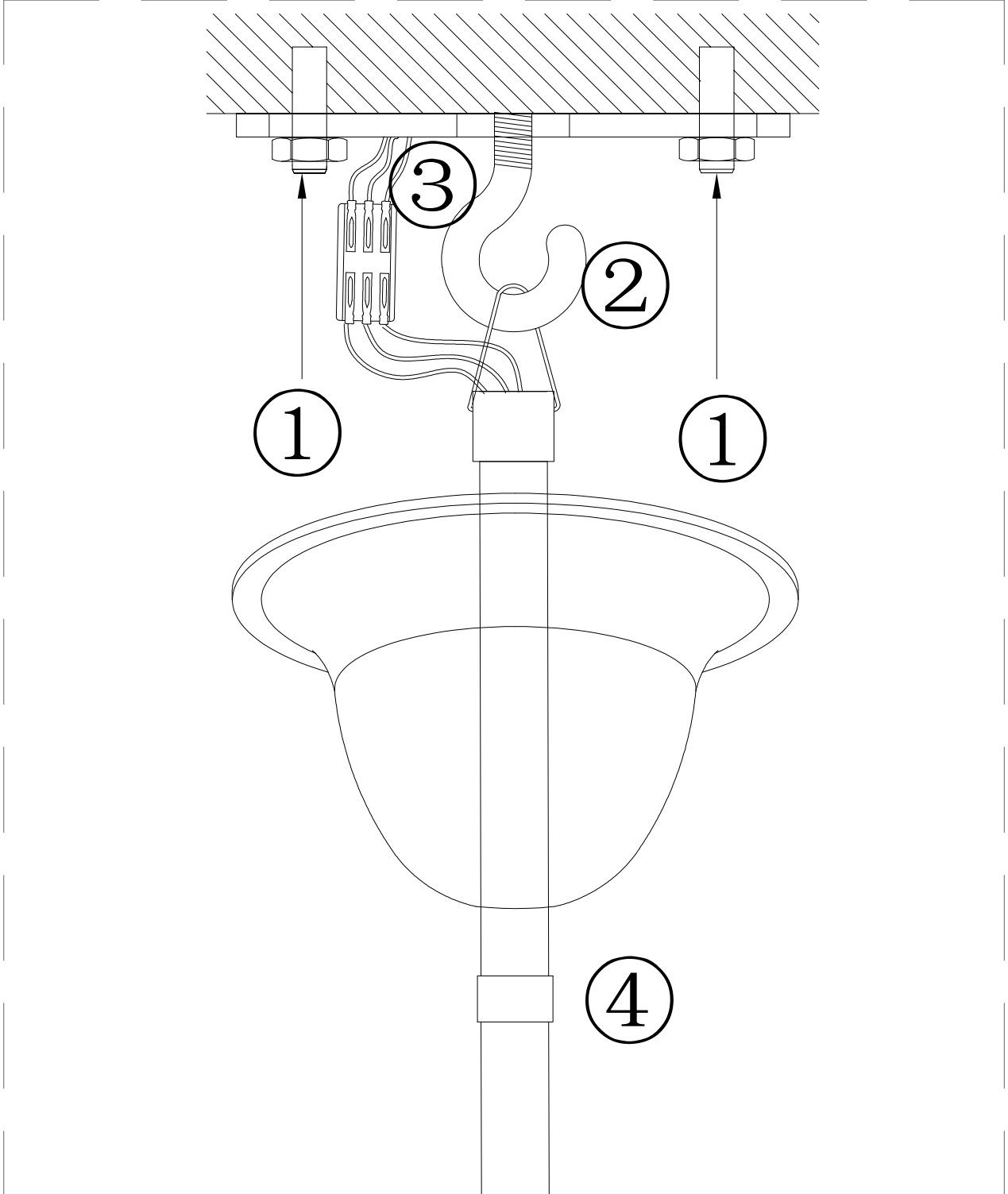
2

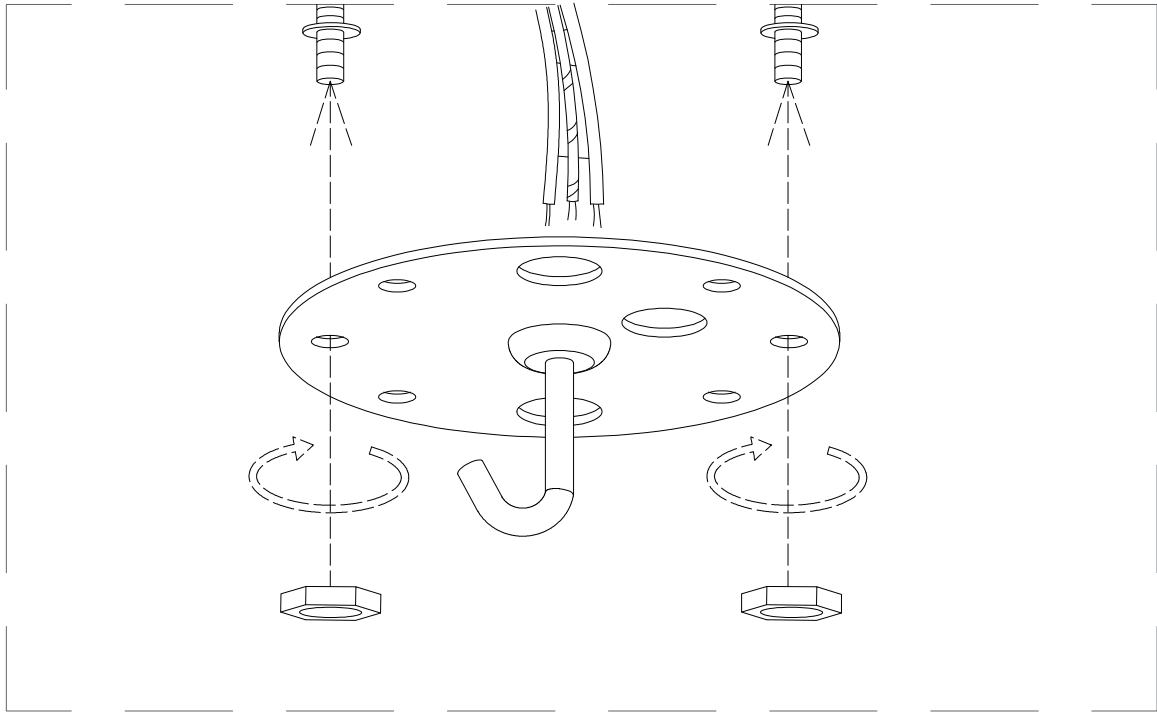


3

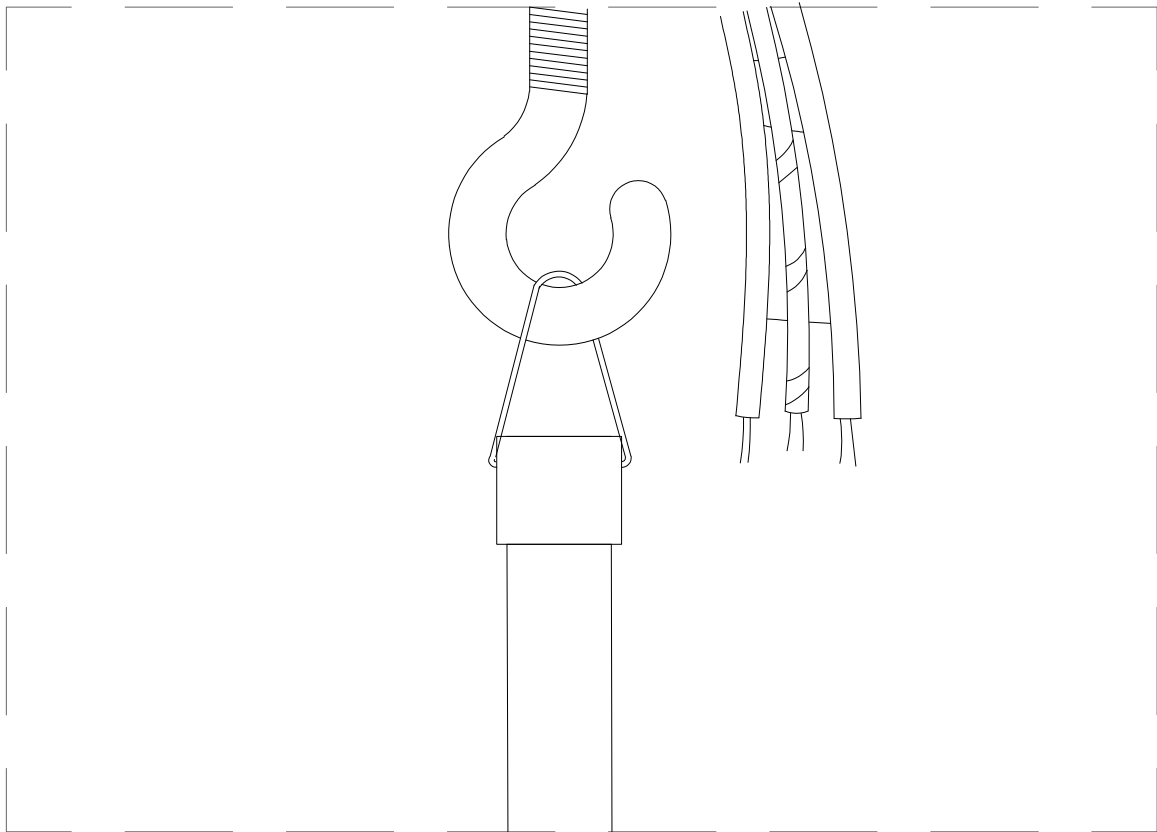


4



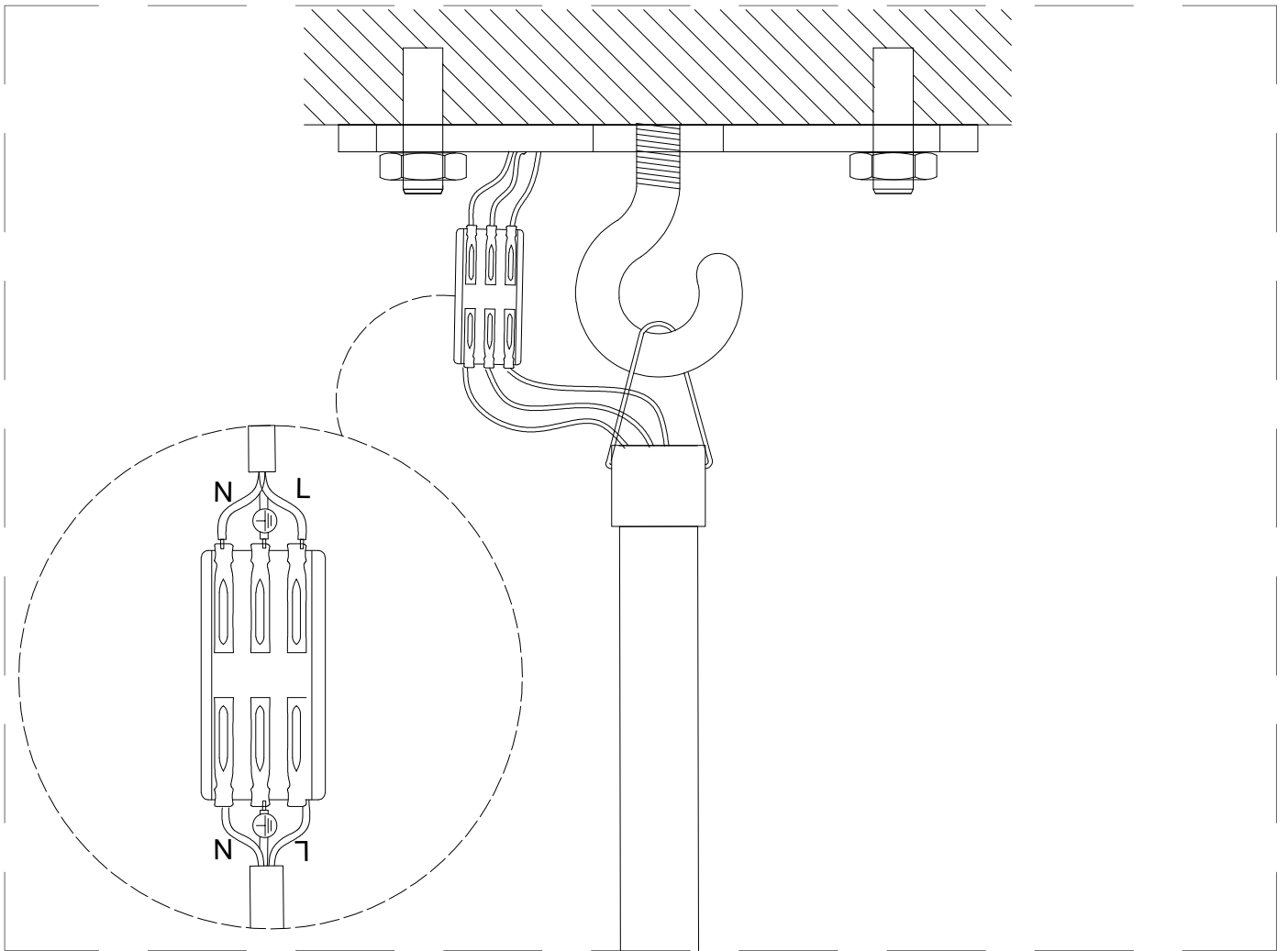


①: Install expansion bolts and fix the hanging plate



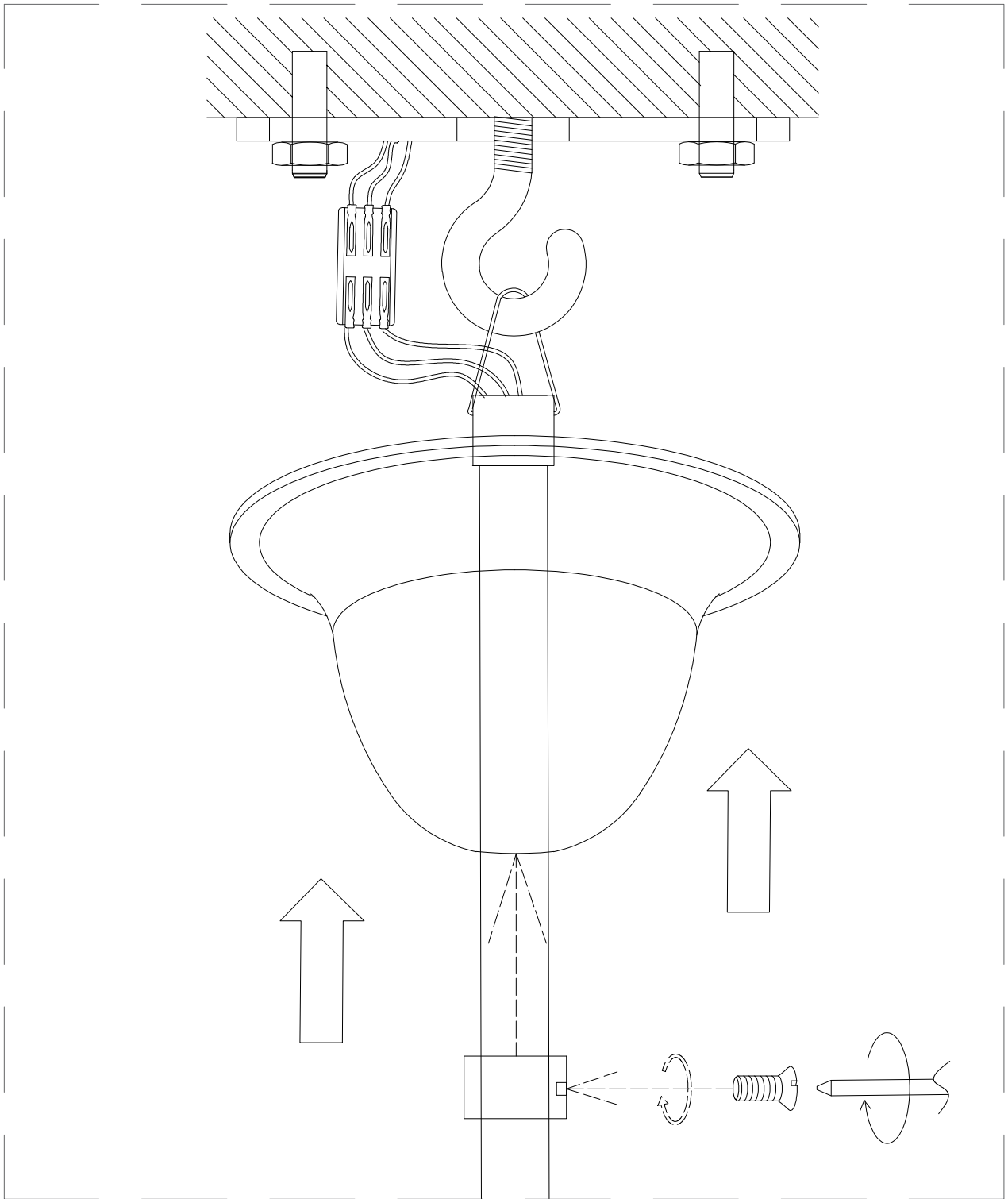
②: Connecting hook

6

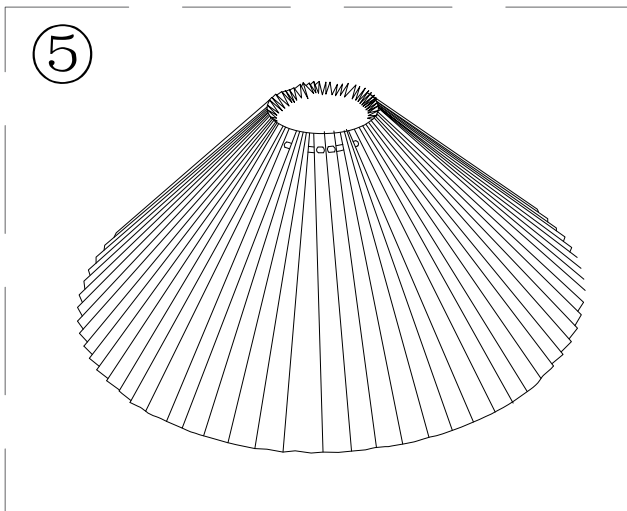
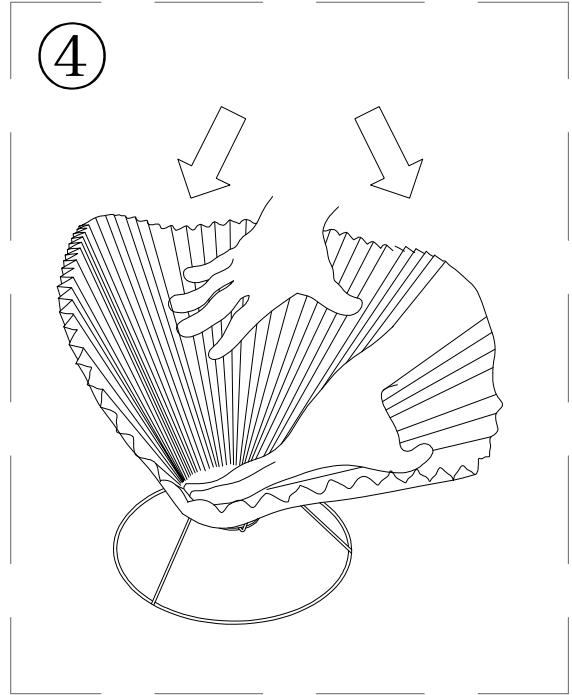
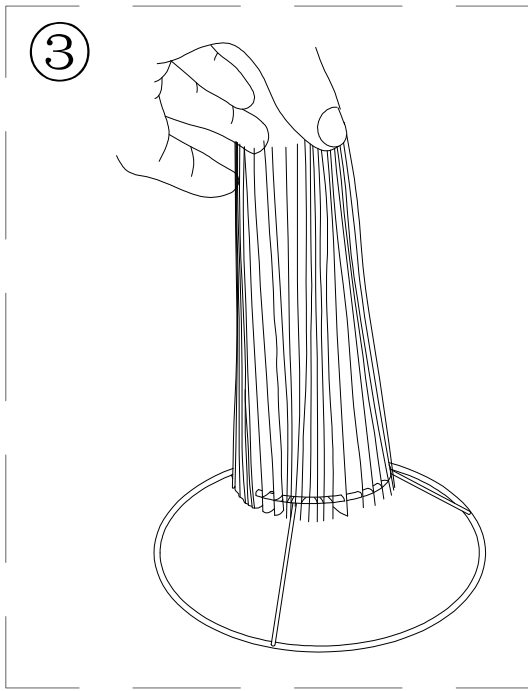
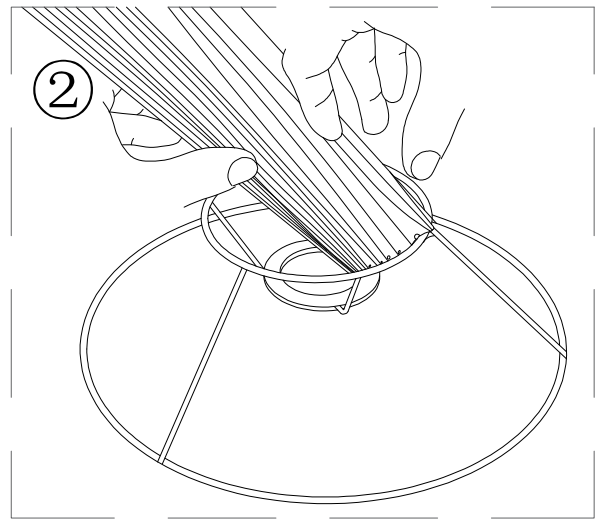
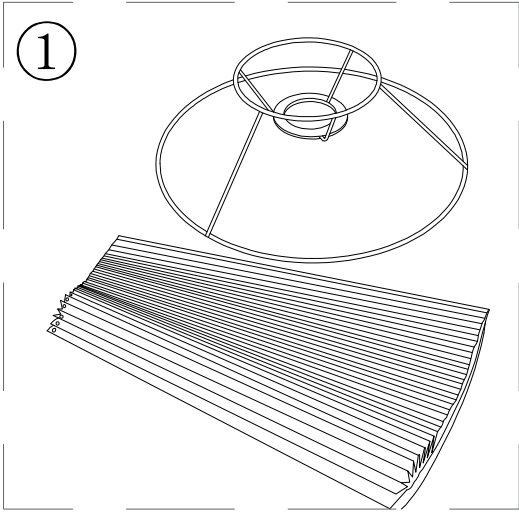


③: Connect the lamp body to the reserved wires

7



④: Use the ceiling plate to cover the hanging board, and then tighten the screws to fix it



9

