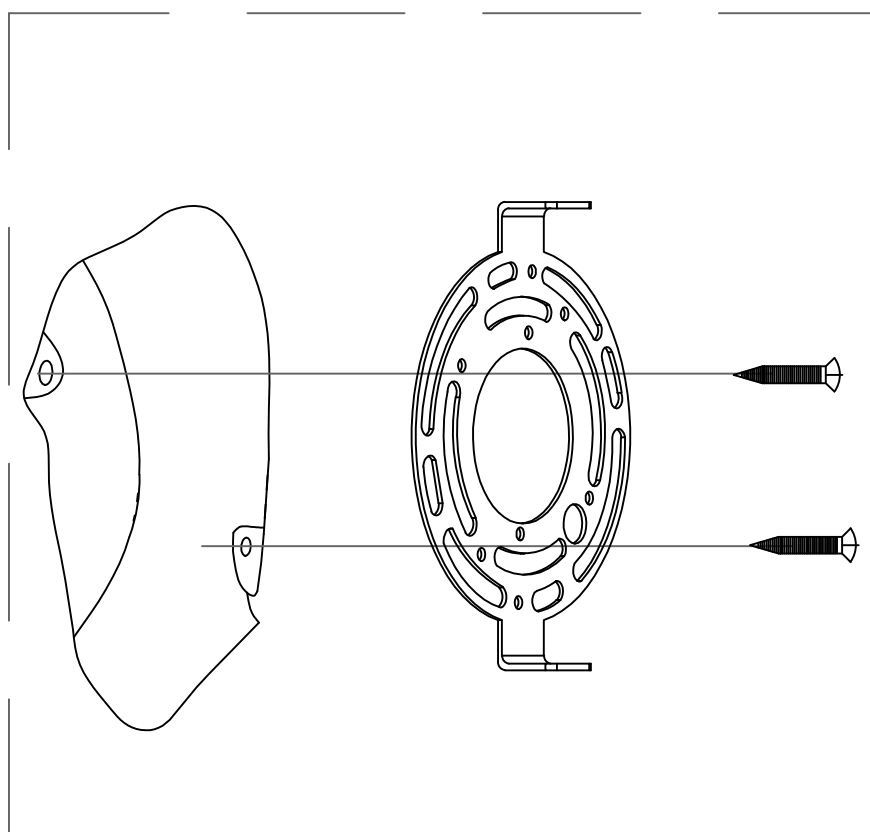
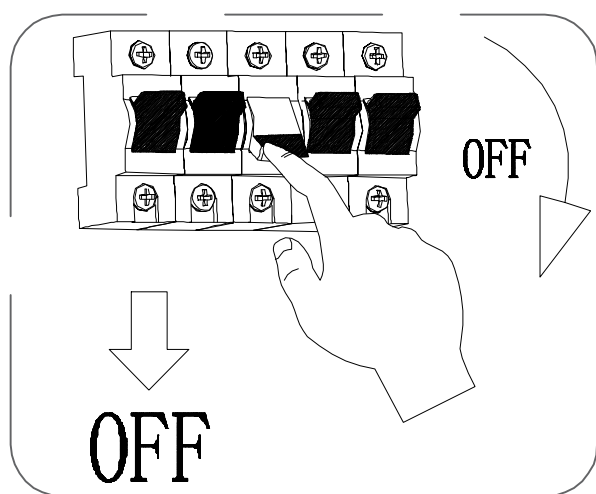
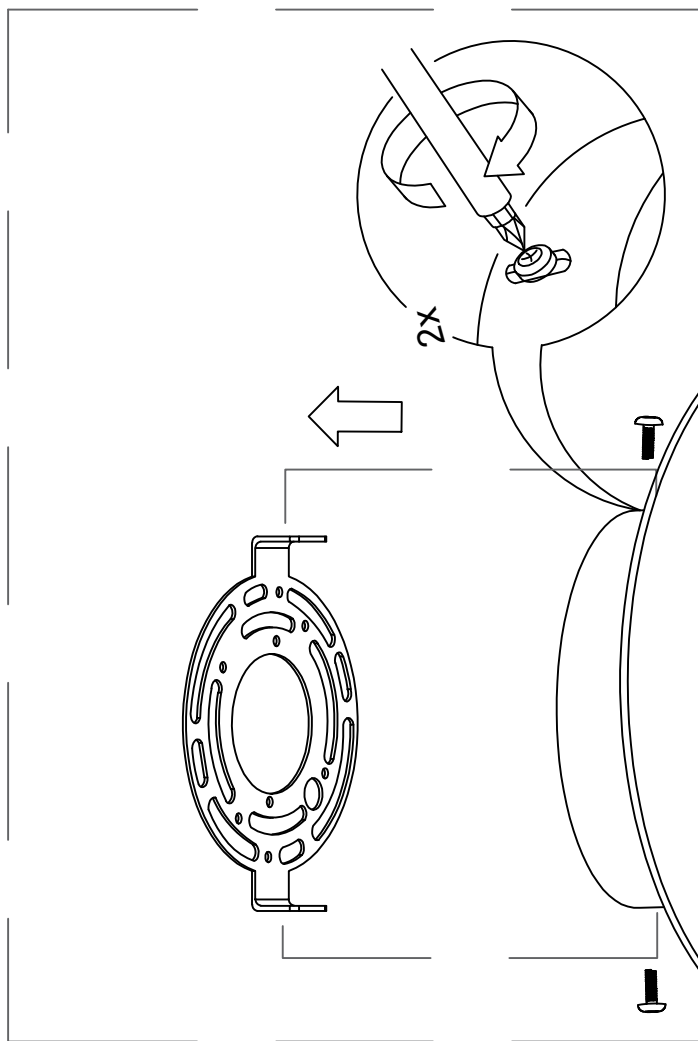


1



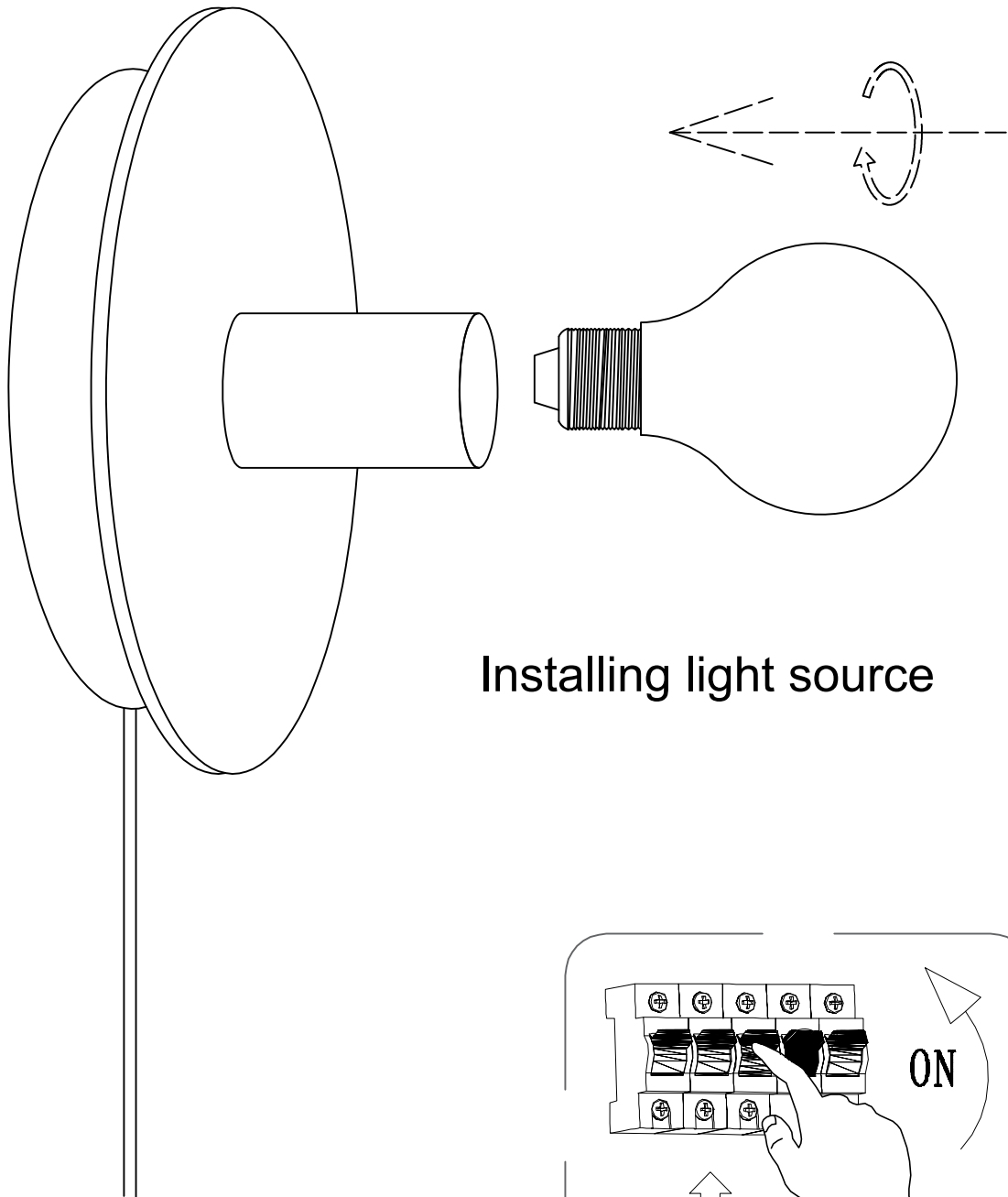
Fix the hanging plate to the wall with screws

# 2



The side screws fix the lamp body to the hanging plate

3



Installing light source

